



#### Color Variants

VP414611

Stainless steel

Width 38 cm

VP414611

Vario Teppan Yaki 400 series

Stainless steel

Width 38 cm

Cooking directly on the hard-chromed metal surface, without any pots or pans  
Exact temperature control up to 240 °C  
Optimum heat distribution  
Solid stainless steel control knob  
Precision crafting of 3 mm stainless steel  
For surface mounting with a visible edge or for flush mounting  
Can be combined perfectly with other Vario appliances of the 400 series

#### Cooking zones

Usable area W 31 x D 44 cm.

#### Handling

Control knobs with illuminated ring, cooking zone and temperature markings.  
Electronic temperature control from 120 °C to 240 °C.

#### Features

Two zones, each 1500 W, can be operated together as a complete surface or each half separately.  
Keeping warm setting.  
Cleaning stage.  
Even with traces of use, always easy to clean like a cast pan.

#### Safety

Safety shut-off.  
Pre-heat and residual heat indicator.

#### Planning notes

Depending on the type of installation (surface-mounted or flush-mounted, with or without an appliance cover), the specific location of the cut-out and the knob positions may vary.  
If combining several Vario appliances of the 400 series, a connection strip VA 420 must be placed between the appliances. Depending on the type of installation, the corresponding connection strip must be provided.  
The bearing capacity and stability, in the case of thin worktops in particular, must be supported using suitable substructures. Take into account the appliance weight and additional loads.  
Additional instructions for flush mounting:  
Installation is possible in worktops made of stone, synthetics or solid wood. Heat resistance and watertight sealing of the cut edges must be observed. Concerning other materials please consult the worktop manufacturer.  
The groove must be continuous and even, so that uniform placing of the appliance on the gasket is ensured. Do not use discontinuous lining.  
The joint width may vary due to size tolerances of the combinations and of the worktop cut-out.  
If installing several appliances in individual cut-outs allow for a division bar of minimum 50 mm between the individual cut-outs.  
Appliance can be snapped into the worktop from above.  
Appliance weight: approx. 12.

#### Connection

Total connected load 3.0 KW.  
Connecting cable 1.5 m without plug.

#### Product Features

Product name / series name

Vario/Domino Teppan Yaki

Construction type

Built-in

Energy source

Electric

Type of control

Electronic

Grill grating material

Required cutout size (HxWxD) (mm)

118 x 360 x 490

Width of the product (mm)

380

Overall appliance dimensions (HxWxD) (mm)

118 x 380 x 520

Product packaging dimensions (HxWxD) (mm)

400 x 460 x 600

Net weight (kg)

12.278

Gross weight (kg)

16.1

Residual heat indicator

Separate

Location of control panel

Hob front

Basic surface material

Stainless steel, Stainless steel

Color of surface

Stainless steel, Stainless steel

Color of frame

Stainless steel

Approval certificates

Australia Standards, CCC, CE, China, China ROHS 20, Eurasian, G-Mark, Ukraine, VDE

Power cord length (cm)

150

#### Consumption and connection features

Watts (W)

3000

Gas connection rating (W)

Current (A)

16

Volts (V)

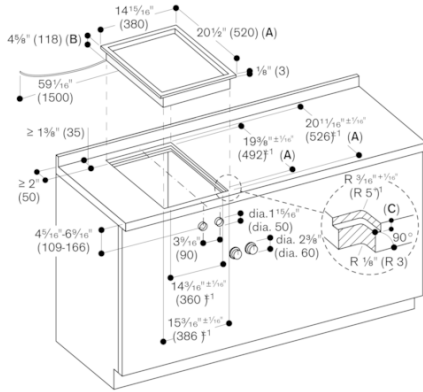
208-240

Frequency (Hz)

60

2020-09-03

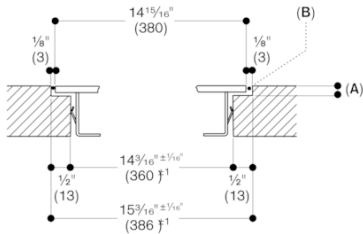
Page 1



A: When installing with appliance cover, take the deeper cut-out into consideration (observe separate planning notes)  
 B: 5/4" (133 mm) in the area of the cable clamp (left, on the rear side)  
 C: 1/8" (3.5<sup>0.5</sup>)

measurements in inches (mm)

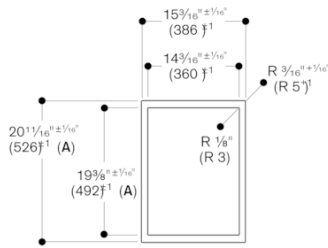
Longitudinal section



A: 1/8" (3.5<sup>0.5</sup>)  
 B: Fill with silicone

measurements in inches (mm)

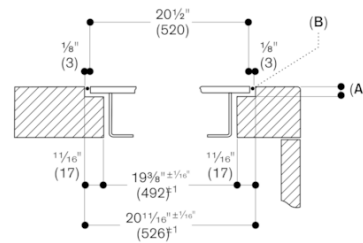
View from above



A: When installing with appliance cover, take the deeper cut-out into consideration (observe separate planning notes)

measurements in inches (mm)

Cross-section

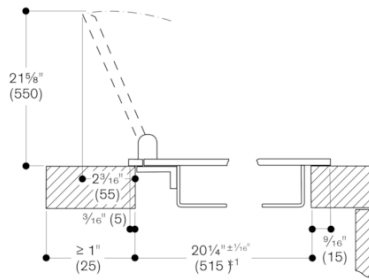


A: 1/8" (3.5<sup>0.5</sup>)  
 B: Fill with silicone

When installing with appliance cover, pay attention to the deeper cut-out and the front and rear groove width.

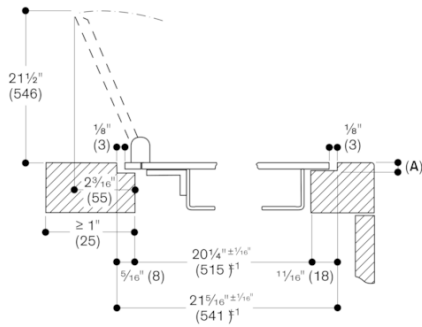
measurements in inches (mm)

Installation with appliance cover, surface mounting



measurements in inches (mm)

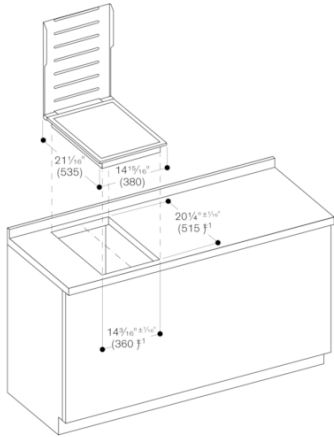
Installation with appliance cover, flush mounting



A: 1/8" (3.5<sup>0.5</sup>)

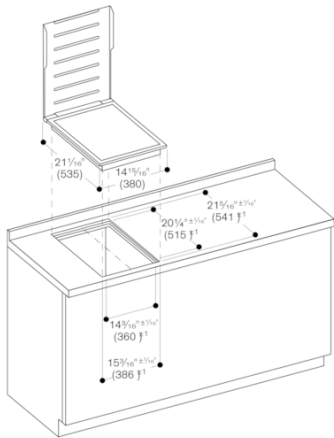
measurements in inches (mm)

Installation with appliance cover, surface mounting

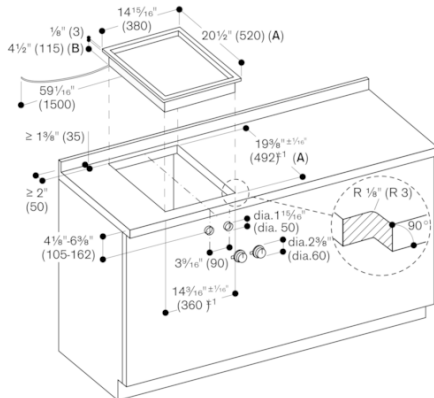


measurements in inches (mm)

Installation with appliance cover, flush mounting

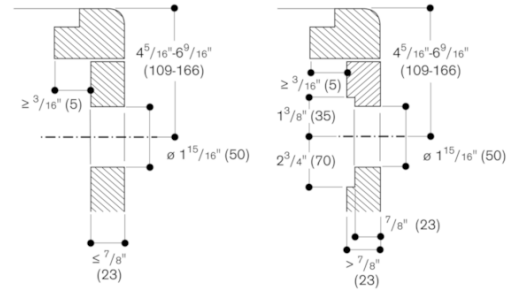


measurements in inches (mm)



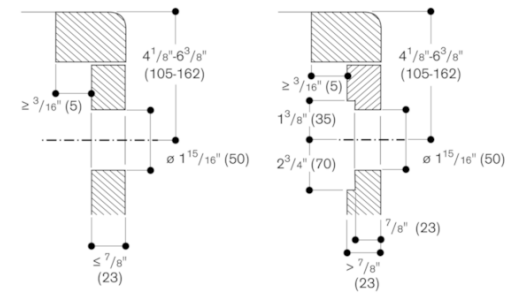
A: When installing with appliance cover, take the deeper cut-out into consideration (observe separate planning notes)  
 B:  $5\frac{1}{8}''$  (130 mm) in the area of the cable clamp (left, on the rear side)  
 measurements in inches (mm)

Control knob installation, flush installation



measurements in inches (mm)

Control knob installation, surface mounting



measurements in inches (mm)