



Color Variants

VR414611
Stainless steel
Width 38 cm

Optional accessories

LV030000
Lava stones for refilling
VA461000
Cast-iron griddle, enameled, half size

VR414611
Vario electric grill 400 series
Stainless steel
Width 38 cm

Two zones can be operated together or separately
Cast pan, half size, for simultaneous frying and grilling on two separate surfaces
Open cast grill, lava stones
Solid stainless steel control knob
Precision crafting of 3 mm stainless steel
For surface mounting with a visible edge or for flush mounting
Can be combined perfectly with other Vario appliances of the 400 series

Handling

Control knobs with illuminated ring, cooking zone and output level markings.
Electronic control in 12 output levels.

Features

Cooktop, lava stone trough and grease collecting insert from stainless steel.
Two zones, each 1500 W, can be operated together as a complete surface or each half separately.
Two-part cast grill.

Safety

Safety shut-off.
Pre-heat and residual heat indicator.

Planning notes

Depending on the type of installation (surface-mounted or flush-mounted, with or without an appliance cover), the specific location of the cut-out and the knob positions may vary.
If combining several Vario appliances of the 400 series, a connection strip VA 420 must be placed between the appliances. Depending on the type of installation, the corresponding connection strip must be provided.
The bearing capacity and stability, in the case of thin worktops in particular, must be supported using suitable substructures. Take into account the appliance weight and additional loads. Additional instructions for flush mounting:
Installation is possible in worktops made of stone, synthetics or solid wood. Heat resistance and watertight sealing of the cut edges must be observed. Concerning other materials please consult the worktop manufacturer.
The groove must be continuous and even, so that uniform placing of the appliance on the gasket is ensured. Do not use discontinuous lining.
The joint width may vary due to size tolerances of the combinations and of the worktop cut-out.
If installing several appliances in individual cut-outs allow for a division bar of minimum 50 mm between the individual cut-outs.
Appliance can be snapped into the worktop from above.
Appliance weight: approx. 30.

Connection

Total connected load 3.0 KW.
Connecting cable 1.5 m without plug.

Product Features

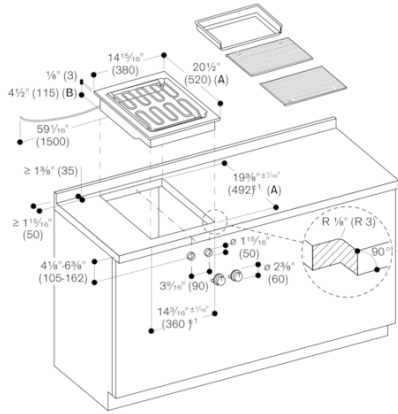
Product name / series name
Vario/Domino barbecue grill
Construction type
Built-in
Energy source
Electric
Type of control
Electronic
Grill grating material
Cast iron
Required cutout size (HxWxD) (mm)
118 x 360 x 492
Width of the product (mm)
380
Overall appliance dimensions (HxWxD) (mm)
118 x 380 x 520
Product packaging dimensions (HxWxD) (mm)
400 x 460 x 600
Net weight (kg)
29.571
Gross weight (kg)
33.4
Residual heat indicator
Separate
Location of control panel
Hob front
Basic surface material
Cast iron
Color of surface
Stainless steel, Stainless steel
Color of frame
Stainless steel
Approval certificates
Australia Standards, CCC, CE, China, China ROHS 20, Eurasian, G-Mark, Ukraine, VDE
Power cord length (cm)
150

Consumption and connection features

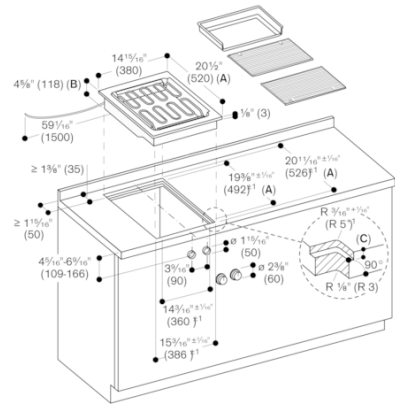
Watts (W)
3000
Gas connection rating (W)
Current (A)
16
Volts (V)
208-240
Frequency (Hz)
60

2020-09-03

Page 1

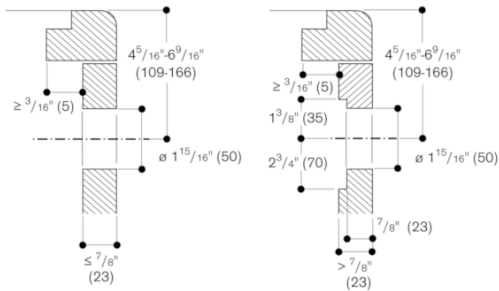


A: When installing with appliance cover, take the deeper cut-out into consideration (observe separate planning notes)
 B: 5/8" (130 mm) in the area of the cable clamp (left, on the rear side)
 measurements in inches (mm)



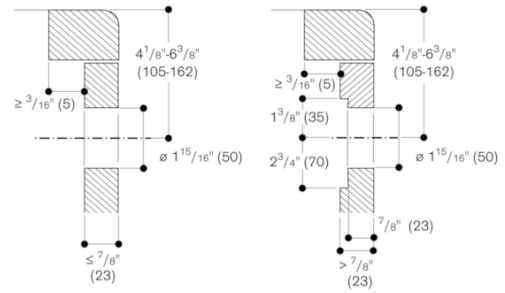
A: When installing with appliance cover, take the deeper cut-out into consideration (observe separate planning notes)
 B: 5/8" (133 mm) in the area of the cable clamp (left, on the rear side)
 C: 1/8" (3.5 mm)
 measurements in inches (mm)

Control knob installation, flush installation



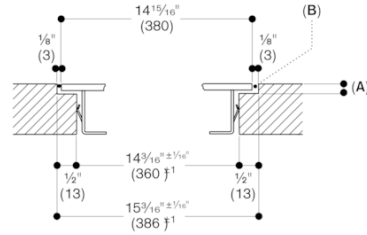
measurements in inches (mm)

Control knob installation, surface mounting



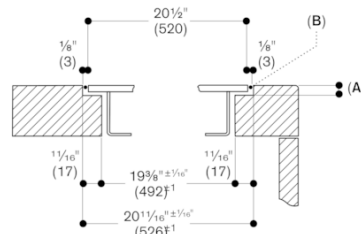
measurements in inches (mm)

Longitudinal section



A: 1/8" (3.5 mm)
 B: Fill with silicone
 measurements in inches (mm)

Cross-section

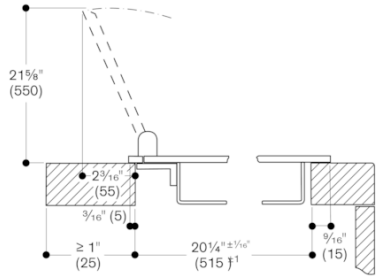


A: 1/8" (3.5 mm)
 B: Fill with silicone

When installing with appliance cover, pay attention to the deeper cut-out and the front and rear groove width.

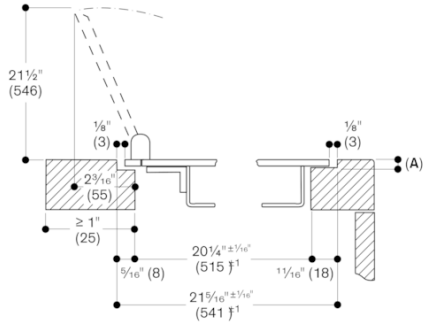
measurements in inches (mm)

Installation with appliance cover, surface mounting



measurements in inches (mm)

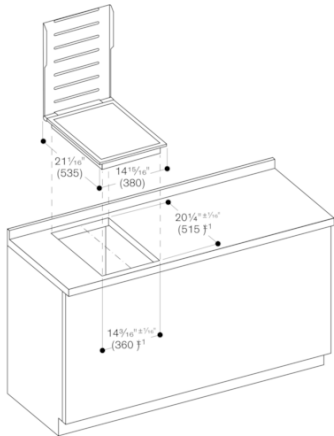
Installation with appliance cover, flush mounting



A: 1/8" (3.5⁰⁵)

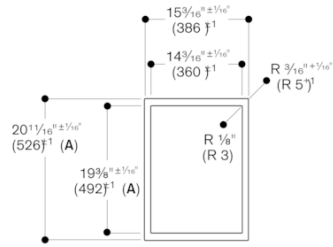
measurements in inches (mm)

Installation with appliance cover, surface mounting



measurements in inches (mm)

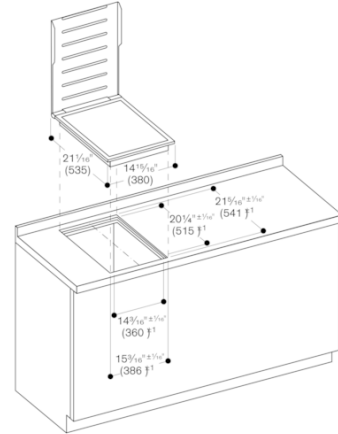
View from above



A: When installing with appliance cover, take the deeper cut-out into consideration (observe separate planning notes)

measurements in inches (mm)

Installation with appliance cover, flush mounting



measurements in inches (mm)