

AA211812

#### Recirculation module

##### AA211812

- For air recirculation.
- Can be combined with flat kitchen hood series 200 / canopy extractor series 200.
- Highly efficient odour reduction for cooking applications with complex odour molecules (e.g. fish and seafood).
- The filter retains an extremely high amount of airborne pollen and deactivates allergens, which are retained by the filter.
- Extended change interval for the activated charcoal filter.

- For air recirculation.

Can be combined with flat kitchen hood series 200 / canopy extractor series 200.

Highly efficient odour reduction for cooking applications with complex odour molecules (e.g. fish and seafood).

The filter retains an extremely high amount of airborne pollen and deactivates allergens, which are retained by the filter.

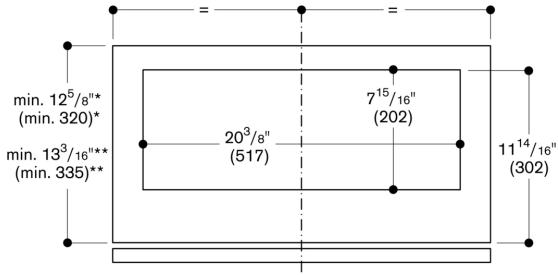
Extended change interval for the activated charcoal filter.

For assembly in the upper cabinet.

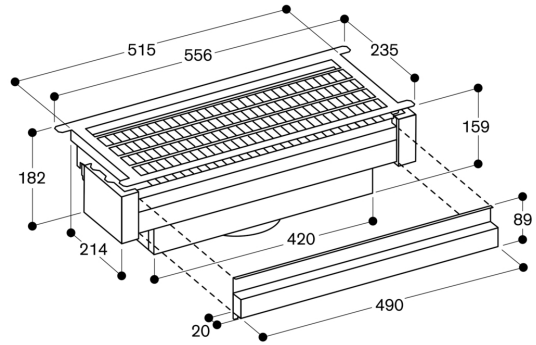
Connection piece DN 150 cylindrical.

Consisting of filter housing with design panel, activated charcoal filter, flexible hose and 2 hose clamps.

View of upper cabinet from above with AA 211 812

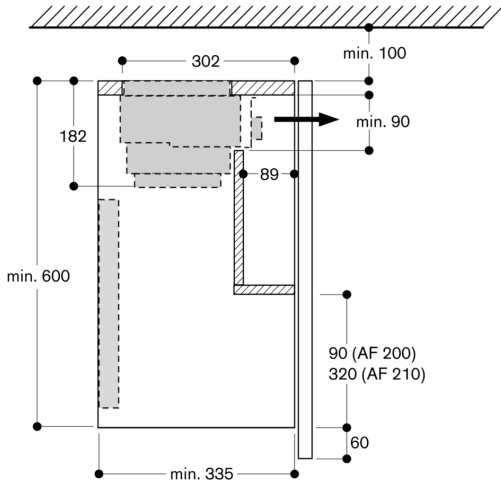


\* Appliance only  
 \*\* Appliance with AA 210 490/460 lowering frame

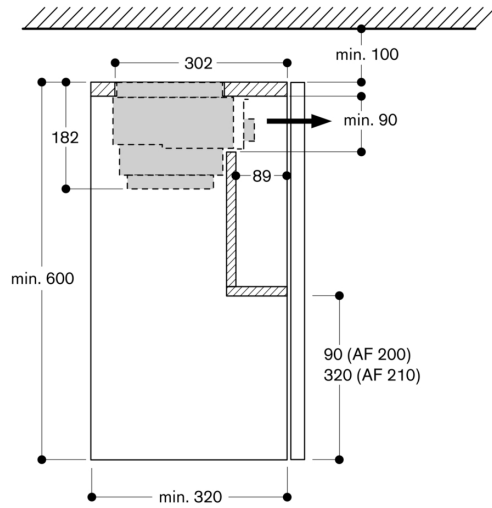


Removable filter panel

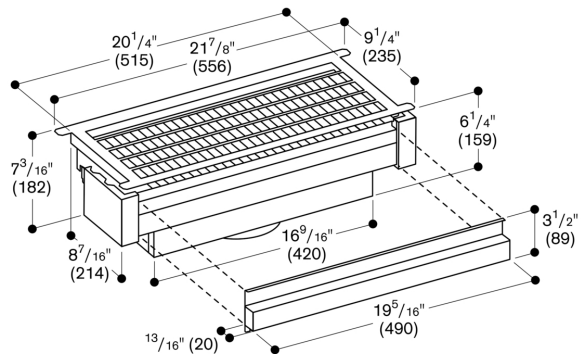
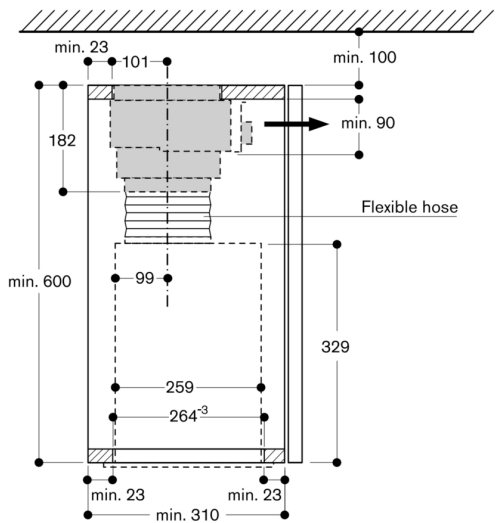
Cross-section of upper cabinet with AA 211 812 and AA 210 490/460 lowering frame



Cross-section of upper cabinet with AA 211 812



Cross-section of upper cabinet with AC 200 and AA 211 812



Removable filter panel

Cross-section of upper cabinet with AA 211 812

