



AA409401

Installation accessory

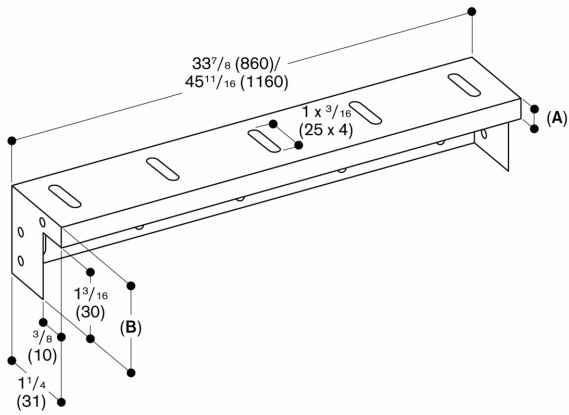
860 mm

AA409401

- Can be combined with table ventilation AL 400.
- Recommended as bearer for the worktop, instead of a cabinet frame, or to support the fan housing, replacing the need for a cabinet base.
- Can be combined with table ventilation AL 400.

Recommended as bearer for the worktop, instead of a cabinet frame, or to support the fan housing, replacing the need for a cabinet base.

AA 409 401/431 furniture support



A:  $\frac{7}{8}$ " (21.5 mm)  
 B: 2" (51.5 mm)

Measurements in inches (mm)

AA 409 401/431 furniture support

