

AC200181
Canopy extractor 200 series
Stainless steel and glass
Width 70 cm
Air extraction/recirculation

A++

Can be integrated invisibly in upper cabinet
Energy-saving, low-noise fan
Rim extraction with flat and easy-to-clean glass cover
Dimmable, neutral white LED light for ideal illumination of the whole cooktop
Air extraction or recirculation system
Energy efficiency class A++

Output

Odour reduction air recirculation 93 %.

Features

Three electronically controlled power levels and an intensive mode.
Remote control is available as a special accessory.
Interval ventilation, 6 min.
Run-on function, 6 min.
Grease filter saturation indicator.
Metal grease filter, dishwasher-safe.
Glass filter cover.
Neutral white LED light (4000 K), dimmable.
Lamp output 2 x 1W LED.
Illuminance: 244 lx
Fan technology with highly efficient, brushless DC motor.

Product rating

Energy consumption 30.3 kWh/year.
Ventilation efficiency class A.
Illumination efficiency class A.
Grease filter efficiency class D.
Sound level min. 46 dB / max. 64 dB normal mode.

Planning notes

Patented air recirculation module with activated charcoal filter can be installed in the upper cabinet. The activated carbon filter can be changed from the front by simply pulling out the filter drawer.
The door of the upper cabinet must be fully open in order to change the activated charcoal filter.
Can be integrated invisibly in upper cabinet.
Vario cooktops with intensive production of vapours like VR/VP/VF should be placed in the middle beneath the cooker hood (in this case air recirculation is not recommended).
Clearance above gas appliances min. 65 cm (more than total load gas 12 kW min. 70 cm).
Clearance above electric appliances min. 50 cm.
When installing a ventilation hood with air extraction mode and a chimney-vented fireplace, the hood's power supply line needs to feature a suitable safety switch.

Connection

Total connected load 172 W.
Connecting cable 1.0 m with plug.

Characteristics

Product name/family
Color chimney
Typology
Built-in/Built-under
Approval certificates
Australia Standards, CE, Eurasian, G-Mark, Ukraine, VDE
Length of electrical supply cord
100
Required niche size for installation (HxWxD)
418mm x 676.0mm x 264mm
Height of the chimney
Height of product, without chimney
Minimum distance above an electric hob
500
Minimum distance above a gas hob
650
Net weight
9.2
Type of control
Electronic
Number of speed settings
Maximum output air extraction
575
Boost position output recirculating
740.0
Maximum output recirculating air
540
Boost position air extraction
775
Number of lights (Stck)
2
Noise level
64
Diameter of air outlet
120 / 150
Grease filter material
Washable aluminium
EAN code
4242006284794
Connection rating
172
Fuse protection
3
Voltage
220-240
Frequency
50
Plug type
Gardy plug w/ earthing
Installation type
Built-in

Consumption and connection features

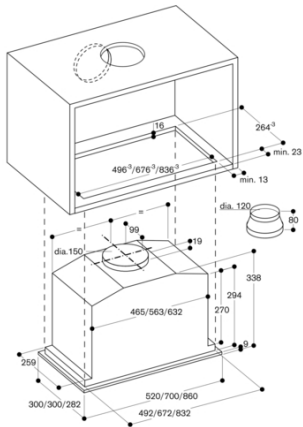
created on 2022-08-10
Page 1

Color Variants

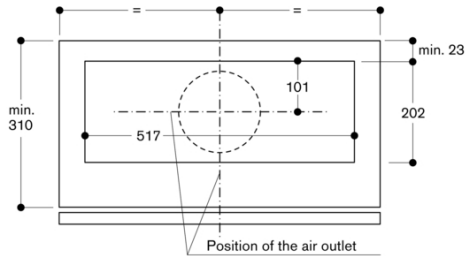
AC200181
Stainless steel and glass
Width 70 cm

Optional accessories

AA200510
Remote control for canopy extractor AC200
AA211812
Patented air recirculation module including 1 activated charcoal filter with high efficient odour reduction due to increased surface



View of upper cabinet from above with AC 200 and AA 211 812



Cross-section of upper cabinet with AC 200 and AA 211 812

