



AC230101



Optional accessories

AA200121:

Active charcoal filter f. AC230/AC270101

AA200122:

Activated charcoal filter regenerative

Installation Accessories

Ceiling ventilation 200 series 105 cm, Gaggenau Light Bronze AC230101

– Home Connect

- Perfect and harmonic integration into the architecture of the kitchen

Precision crafted, solid aluminium design

Energy-saving, low-noise fan

Rim extraction

Function for automatic, sensor-controlled power adjustment depending on the build-up of cooking vapours

Easy and time saving installation directly on the ceiling

Output

Odour reduction: > 90 %

Features

Three electronically controlled power levels and an intensive mode.

Remote control is included in delivery.

Automatic function with sensor-controlled run-on function.

Interval ventilation, 6 min.

Grease filter saturation indicator.

Activated charcoal filter saturation indicator.

3 metal grease filters, dishwasher-safe.

3 activated charcoal filters.

Protection against allergen particles due to special treatment.

Gaggenau Light Bronze anodized aluminium.

Fan technology with highly efficient, brushless DC motor.

Cooktop-based ventilation control (with suitable cooktop).

Integrated WiFi module for digital services (Home Connect).

The availability of the Home Connect functionality depends on the availability of the Home Connect Services in your country. Home Connect Services are not available in every country – for further information please check: www.home-connect.com

Planning notes

Installation directly on the ceiling.

The ceiling ventilation has to be handled as a room ventilation when distance to cooktop is larger than 120 cm since the direct capture of vapours will be limited. The needed airflow is given by an air exchange rate of 10 to 12 times the room volume.

A suitable load-bearing substructure is required for securing the extractor hood. Never fit the appliance directly onto plasterboard or similar lightweight construction materials.

Clearance above gas appliances min. 65 cm (more than total load gas 12 kW min. 70 cm).

Clearance above electric appliances min. 65 cm.

Appliance weight: approx. 41.

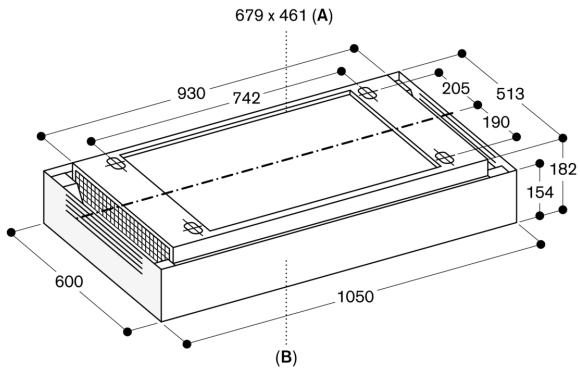
Connection

Total connected load 140 W.

Plan a connection cable.

Power consumption standby/display off 0.4 W.

Please check the user manual for how to switch off the WiFi module.



A: Area for cable outlet on the ceiling

B: Front of appliance

measurements in mm