



AC270101
Ceiling ventilation 200 series
Width 105 cm
Air recirculation
Delivery with ceiling mounting plate

Height adjustable ceiling ventilation, when not in use it can be completely lifted onto the ceiling or integrated in the ceiling
 Precision crafted, solid aluminium design
 Energy-saving, low-noise fan
 Rim extraction
 Function for automatic, sensor-controlled power adjustment depending on the build-up of cooking vapours
 Easy installation on the ceiling with provided ceiling mounting plate
 Dimmable, neutral white LED light for ideal illumination of the whole cooktop

Output
 Performance and noise level, output level 3/Intensive:
 Air output according to DIN EN 61591.
 Sound power level according to EN 60704-3. Sound pressure level according to EN 60704-13.
 Air recirculation:
 515 / 697m³/h.
 67 / 74 dB (A) re 1 pW.
 Odour reduction: > 90 %

Features
 Three electronically controlled power levels and an intensive mode.
 Remote control is included in delivery.
 Automatic function with sensor-controlled run-on function.
 Interval ventilation, 6 min.
 Grease filter saturation indicator.
 Activated charcoal filter saturation indicator.
 3 metal grease filters, dishwasher-safe.
 3 activated charcoal filters.
 Protection against allergen particles due to special treatment.
 Gaggenau Black anodized aluminium.
 Fan technology with highly efficient, brushless DC motor.
 Easy mounting system for simple installation and alignment.
 Neutral white LED light (3500 K), continuously dimmable.
 Light colour in different white tones (2700 - 5000 Kelvin) can be adjusted via Home Connect.
 Lamp output 6 x 3W LED lights.
 Illuminance 1156 lx continuously dimmable.
 Cooktop-based ventilation control (with suitable cooktop).
 Integrated WiFi module for digital services (Home Connect).
 The availability of the Home Connect functionality depends on the availability of the Home Connect Services in your country. Home Connect Services are not available in every country – for further information please check: www.home-connect.com

Planning notes
 Installation directly on the ceiling with provided ceiling mounting plate.
 Recommended ceiling height up to 3.50 m.

Characteristics
Product name/family
Color chimney
Typology
 Island/Ceiling
Approval certificates
 CCC, CE, E17D UKCA marking, Eurasian, Ukraine, VDE
Length of electrical supply cord
 0
Required niche size for installation (HxWxD)
Height of the chimney
Height of product, without chimney
Minimum distance above an electric hob
 700
Minimum distance above a gas hob
 700
Net weight
 67.4
Type of control
 Electronic
Number of speed settings
Maximum output air extraction
Boost position output recirculating
 683
Maximum output recirculating air
 501
Boost position air extraction
Number of lights (Stck)
 6
Noise level
Diameter of air outlet
Grease filter material
 Washable stainless steel
EAN code
 4242006283506
Connection rating
 250
Fuse protection
Voltage
 220-240
Frequency
 50; 60
Plug type
 no plug
Installation type
 Island

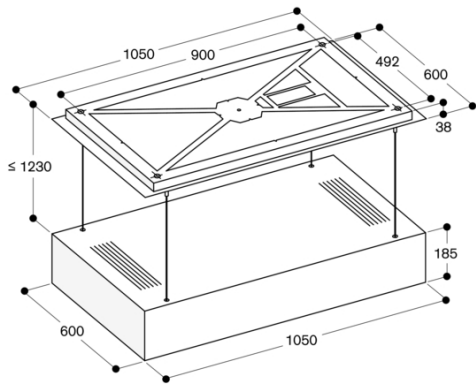
Consumption and connection features
 created on 2022-08-11
 Page 1

The ceiling ventilation has to be handled as a room ventilation when distance to cooktop is larger than 120 cm since the direct capture of vapours will be limited. The needed airflow is given by an air exchange rate of 10 to 12 times the room volume.
 A suitable load-bearing substructure is required for securing the extractor hood. Never fit the appliance directly onto plasterboard or similar lightweight construction materials.
 Clearance above gas appliances min. 70 cm (more than total load gas 12 kW min. 75 cm).
 Clearance above electric appliances min. 70 cm.
 Appliance weight: approx. 67.

Connection
 Total connected load 250 W.
 Plan a connection cable.
 Power consumption standby/display off 0.4 W.
 Please check the user manual for how to switch off the WiFi module.

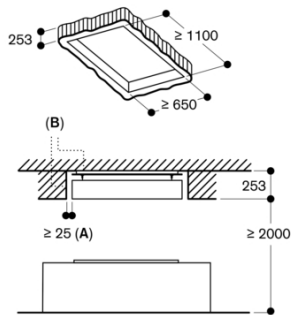
Color Variants
AC270101
Width 105 cm
Air recirculation

Optional accessories
AA200121
3 activated charcoal filter
AA200122
3 regenerable activated charcoal filter



measurements in mm

Flush integration in the ceiling



A: ≥ 25 mm all around
B: Depending on the cooking method, residual moisture may escape from the ceiling ventilation even after use. For preventive purposes, we recommend treating the recess in the ceiling with an anti-mould paint.

measurements in mm