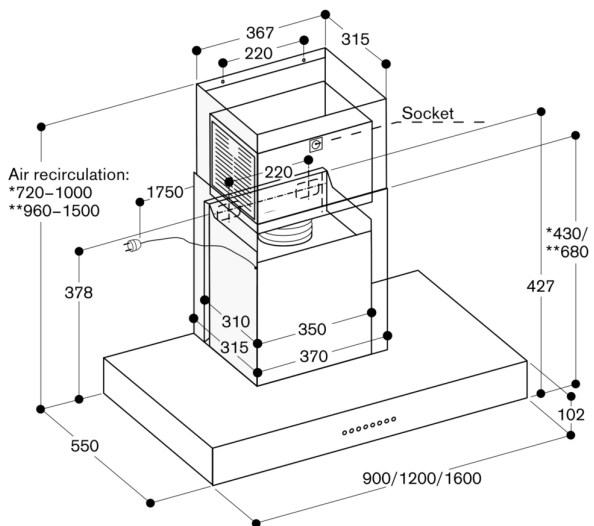


AD442122

Chimney

AD442122

- Length: 860 mm
- Length: 860 mm



* With air recirculation chimney AD 442 112, suitable for ceiling heights from 2.35 m to 2.60 m.

** With air recirculation chimney AD 442 122, suitable for ceiling heights from 2.60 m to 3.10 m; Specifications refer to the distance of 1.60 m from the floor to the lower edge of the hood.