

AD754049

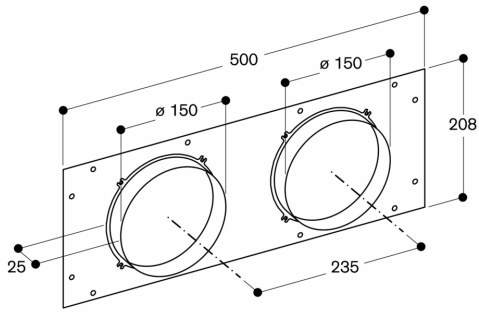
Installation accessory

AD754049

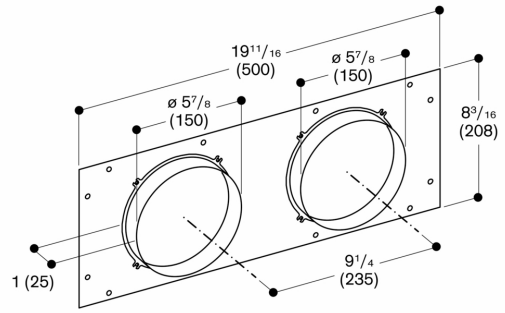
- Fitting AL 400, front or back side.
- 2 x DN 150 cylindrical duct air intake.
-

Planning notes

Fitting AL 400, front or back side.
2 x DN 150 cylindrical duct air intake.



Measurements in mm



Measurements in inches (mm)