



AD857033

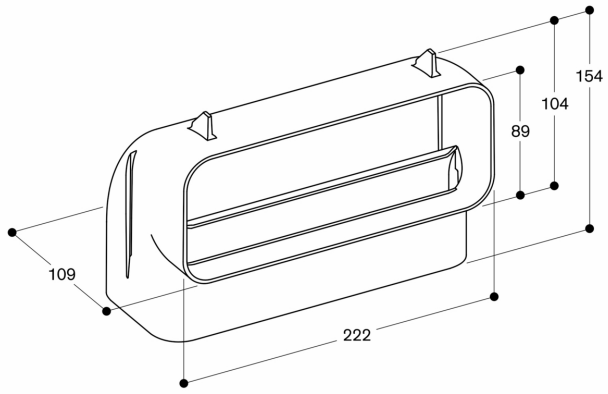
Flat duct
ø 150 mm, 90 °, vertical M

AD857033

- Easy to connect via the flat duct connecting piece.
- Aerodynamically optimised for minimised pressure losses and maximised flow rate.
- Complies with the Needle Flame Test (according to IEC 60695-11-5), the V2 flammability class (according to UL94) and the B1 building material class (DIN 4102-1).
- Easy to connect via the flat duct connecting piece.

Aerodynamically optimised for minimised pressure losses and maximised flow rate.

Complies with the Needle Flame Test (according to IEC 60695-11-5), the V2 flammability class (according to UL94) and the B1 building material class (DIN 4102-1).



measurements in mm