

AD857041

Adapter duct
ø 150 mm, round-flat

AD857041

- Suitable for flat duct and flat duct flex.
- Suitable for round duct (with pipe connector) and aluflex pipe.
- Easy to connect via the flat duct connecting piece.
- Aerodynamically optimised for minimised pressure losses and maximised flow rate.
- Complies with the Needle Flame Test (according to IEC 60695-11-5), the V2 flammability class (according to UL94) and the B1 building material class (DIN 4102-1).

-
Planning notes

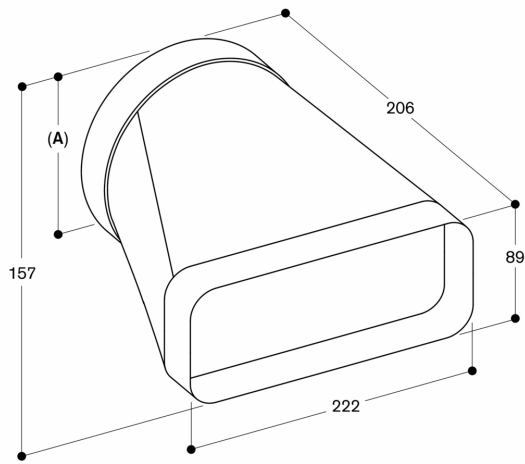
Suitable for flat duct and flat duct flex.

Suitable for round duct (with pipe connector) and aluflex pipe.

Easy to connect via the flat duct connecting piece.

Aerodynamically optimised for minimised pressure losses and maximised flow rate.

Complies with the Needle Flame Test (according to IEC 60695-11-5), the V2 flammability class (according to UL94) and the B1 building material class (DIN 4102-1).



A: \varnothing 152.5

measurements in mm