

AD858010

Flat duct  
222 mm, aluminium  
AD858010

- Sealing is pre-assembled on each side.
- Suitable for flat duct bends.
- Flat duct flex pipe can be shortened.
- Useful for bends (<math><90^\circ</math>) or for parallel offsetting.
- If the removal of the seal is necessary, the connection must be fastened and sealed with aluminium adhesive tape.

#### Features

Sealing is pre-assembled on each side.

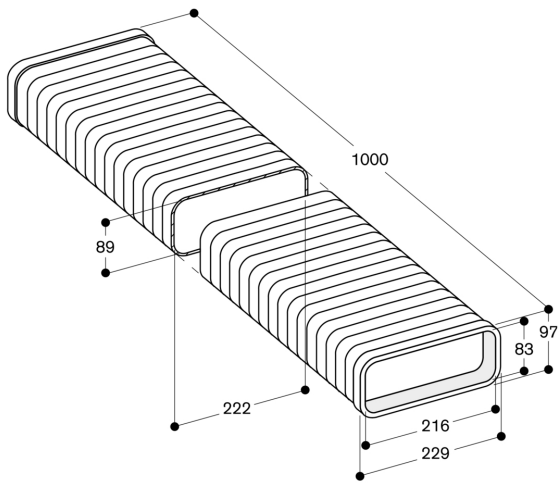
#### Planning notes

Suitable for flat duct bends.

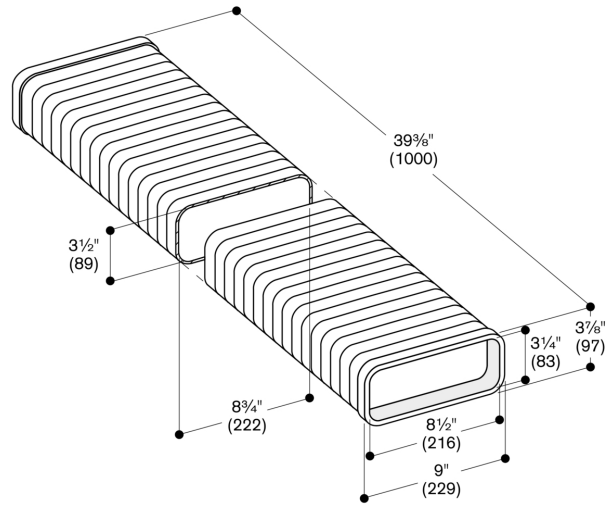
Flat duct flex pipe can be shortened.

Useful for bends (<math><90^\circ</math>) or for parallel offsetting.

If the removal of the seal is necessary, the connection must be fastened and sealed with aluminium adhesive tape.



measurements in mm



measurements in inches (mm)