

**AF210191**  
**Flat kitchen hood 200 series**  
**Stainless steel handle bar**  
**Width 90 cm**  
**Air extraction/recirculation**



Unobtrusive flat kitchen hood design thanks to integrated glass panel in the steam screen  
 Especially quiet operation thanks to integrated sound insulation  
 Steam screen extends by touching the handle bar  
 Especially high air output  
 Energy-saving, low-noise fan  
 Function for automatic, sensor-controlled power adjustment depending on the build-up of cooking vapours  
 Dimmable, neutral white LED light for ideal illumination of the whole cooktop  
 The patented lowering frame allows the flat kitchen hood to disappear completely into the upper cabinet  
 Air extraction or recirculation system  
 Recirculation module with activated charcoal filter: Silent and highly efficient air recirculation solution with odour reduction comparable to air extraction and long replacement intervals

**Output**  
 Performance and noise level, output level 3/Intensive:  
 Air output according to DIN EN 61591. Sound power level according to EN 60704-3.  
 Sound pressure level according to EN 60704-13.  
 Odour reduction air recirculation 91%.

**Features**  
 Controls at front.  
 Three electronically controlled power levels and an intensive mode.  
 Automatic function with sensor-controlled run-on function.  
 Grease filter saturation indicator.  
 Stainless steel grease filter, dishwasher-safe.  
 Neutral white LED light (3500 K), continuously dimmable.  
 Lamp output 3 x LED lights.  
 Illuminance: 762 lx  
 Light can be switched on separately.  
 Fan technology with highly efficient, brushless DC motor.  
 Integrated sound insulation for quiet operation.  
 The fan is activated when the steam screen is extended.  
 Patented technology for extension of the steam screen.  
 Extendable steam screen 198 mm.  
 Airflow-optimised interior for efficient air circulation and ease of cleaning.  
 Patented easy mounting system for simple installation.  
 The package includes an one-way flap.

**Product rating**  
 Energy consumption 43.3 kWh/year.  
 Ventilation efficiency class A.  
 Illumination efficiency class A.  
 Grease filter efficiency class B.  
 Sound level min. 42 dB / max. 57 dB normal mode.

**Planning notes**  
 Patented air recirculation module with activated charcoal filter can be installed in the upper cabinet. The activated carbon filter can be changed from the front by simply pulling out the activated charcoal filter.

**Characteristics**  
**Product name/family**  
**Color chimney**  
**Typology**  
 Pull-out  
**Approval certificates**  
 Australia Standards, CE, Eurasian, G-Mark, Ukraine, VDE  
**Length of electrical supply cord**  
 175  
**Required niche size for installation (HxWxD)**  
 349mm x 524.0mm x 290mm  
**Height of the chimney**  
**Height of product, without chimney**  
**Minimum distance above an electric hob**  
 430  
**Minimum distance above a gas hob**  
 650  
**Net weight**  
 17.5  
**Type of control**  
 Electronic  
**Number of speed settings**  
**Maximum output air extraction**  
 516  
**Boost position output recirculating**  
 649  
**Maximum output recirculating air**  
 500  
**Boost position air extraction**  
 964  
**Number of lights (Stck)**  
 3  
**Noise level**  
 57  
**Diameter of air outlet**  
 120 / 150  
**Grease filter material**  
 Washable stainless steel  
**EAN code**  
 4242006267261  
**Connection rating**  
 269  
**Fuse protection**  
 10  
**Voltage**  
 220-240  
**Frequency**  
 50; 60  
**Plug type**  
 CH plug w/ earthing, Gardy plug w/ earthing, GB plug  
**Installation type**  
 Built-in

**Consumption and connection features**  
 created on 2022-02-04  
 Page 1

The door of the upper cabinet must be fully open in order to change the activated charcoal filter.  
 To be installed in an upper cabinet without base.  
 The required cavity depth of the upper cabinet together with the lowering frame measures 335 mm.  
 The required cavity height of the upper cabinet together with the lowering frame measures 600 mm.  
 Clearance above gas appliances min. 65 cm (more than total load gas 12 kW min. 70 cm).  
 Clearance above electric appliances min. 43 cm.  
 When installing a ventilation hood with air extraction mode and a chimney-vented fireplace, the hood's power supply line needs a suitable safety switch.

**Connection**  
 Total connected load 269 W.  
 Connecting cable 1.8 m, pluggable.

**Color Variants**  
**AF210191**  
**Stainless steel handle bar**  
**Width 90 cm**

**Optional accessories**  
**AA211812**  
**Patented air recirculation module including 1 activated charcoal filter with high efficient odour reduction due to increased surface**

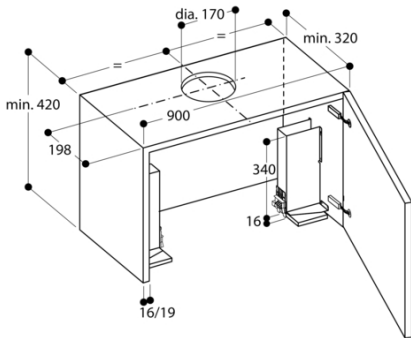
**Installation Accessories**  
**AA210491**  
**Assembly kit for 90 cm upper cabinet**

AF210191  
 Flat kitchen hood 200 series  
 Stainless steel handle bar  
 Width 90 cm  
 Air extraction/recirculation  
 created on 2022-02-04  
 Page 2

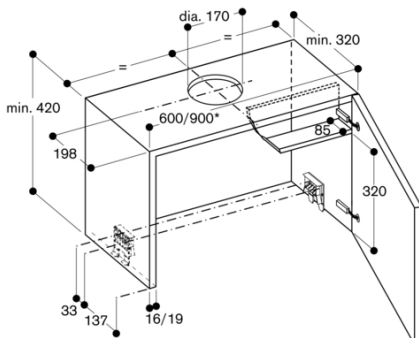
View of upper cabinet from above with AA 211 812



\* Appliance only  
 \*\* Appliance with AA 210 490/460 lowering frame

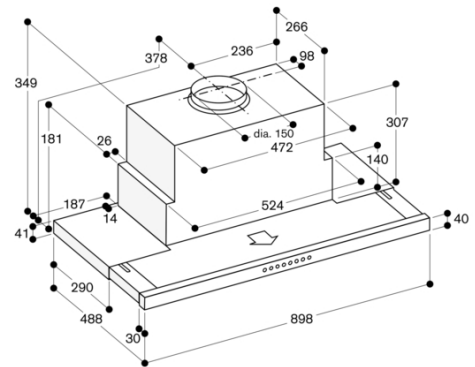
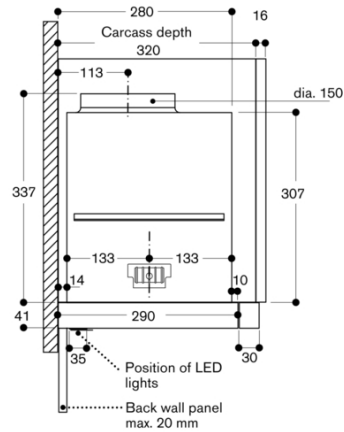
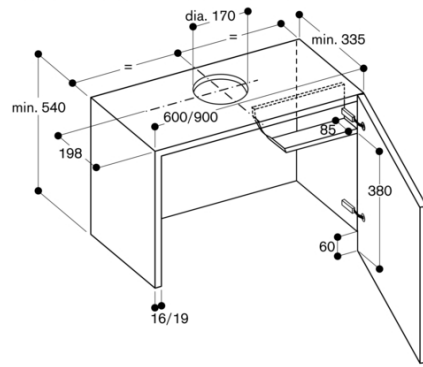


Upper cabinet for AF 210



\* for upper cabinets measuring 90 cm, the AA 210 491 installation set is required in addition

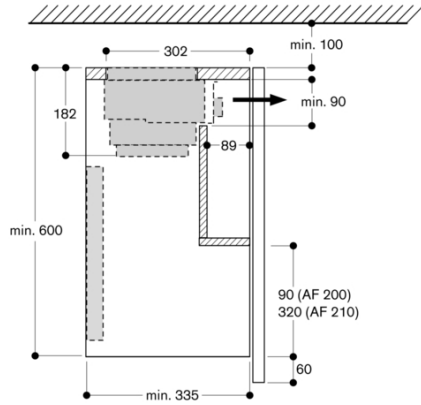
Upper cabinet for AF 210  
 with AA 210 460/AA 210 490 lowering frame



AF210191  
Flat kitchen hood 200 series  
Stainless steel handle bar  
Width 90 cm  
Air extraction/recirculation

created on 2022-02-04  
Page 3

Cross-section of upper cabinet with AA 211 812 and  
AA 210 490/460 lowering frame



Cross-section of upper cabinet with AA 211 812

