



AF210192

A

Optional accessories

AA210110:

Active charcoal filter f. recirc. module

AA211812:

Recirculation module w.active charcoal

Installation Accessories

AA210491:

Installation kit for 90cm wide wall unit

AA210492:

Lowering frame, 90cm

Flat kitchen hood 200 series 90 cm, Stainless steel

AF210192

- Air extraction or air recirculation system
- Especially quiet operation thanks to integrated sound insulation
- Unobtrusive flat kitchen hood design thanks to integrated glass sheet in the steam screen
- Unobtrusive flat kitchen hood design thanks to integrated glass panel in the steam screen

Especially quiet operation thanks to integrated sound insulation

Steam screen extends by touching the handle bar

Especially high air output

Energy-saving, low-noise fan

Function for automatic, sensor-controlled power adjustment depending on the build-up of cooking vapours

Dimmable, neutral white LED light for ideal illumination of the whole cooktop

The patented lowering frame allows the flat kitchen hood to disappear completely into the upper cabinet

Air extraction or recirculation system

Recirculation module with activated charcoal filter: Silent and highly efficient air recirculation solution with odour reduction comparable to air extraction and long replacement intervals

Output

Performance and noise level, output level 3/Intensive:

Air output according to EN 61591. Sound power level according to EN 60704-3.

Air extraction:

517 / 965m³/h.

57 / 71 dB (A) re 1 pW.

Air recirculation:

506 / 876m³/h.

62 / 69 dB (A) re 1 pW.

Features

Controls at front.

Three electronically controlled power levels and an intensive mode.

Automatic function with sensor-controlled run-on function.

Grease filter saturation indicator.

Stainless steel grease filter, dishwasher-safe.

Neutral white LED light (3500 K), continuously dimmable.

Lamp output 3 x 1.5 W.

Illuminance: 355 lx

Light can be switched on separately.

Fan technology with highly efficient, brushless DC motor.

Integrated sound insulation for quiet operation.

The fan is activated when the steam screen is extended.

Patented technology for extension of the steam screen.

Extendable steam screen 198 mm.

Airflow-optimised interior for efficient air circulation and ease of cleaning.

Patented easy mounting system for simple installation.

The package includes an one-way flap.

Product rating

Energy efficiency class A at a range of energy

efficiency classes from A+++ to D.

Energy consumption 41.4 kWh/year.

Ventilation efficiency class A.

Illumination efficiency class A.

Grease filter efficiency class B.

Sound level min. 42 dB / max. 57 dB normal mode.

Planning notes

For air recirculation an external air recirculation module is required.

Patented air recirculation module with activated charcoal filter can be installed in the upper cabinet. The activated carbon filter can be changed from the front by simply pulling out the activated charcoal filter.

The door of the upper cabinet must be fully open in order to change the activated charcoal filter.

To be installed in an upper cabinet without base.

The required cavity depth of the upper cabinet together with the lowering frame measures 335 mm.

The required cavity height of the upper cabinet together with the lowering frame measures 600 mm.

Clearance above gas appliances min. 65 cm (more than total load gas 12 kW min. 70 cm).

Clearance above electric appliances min. 43 cm.

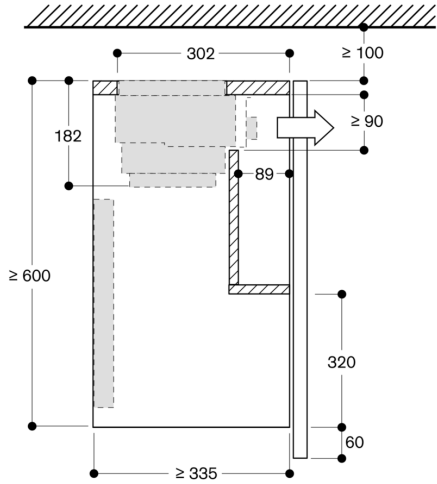
When installing a ventilation hood with air extraction mode and a chimney-vented fireplace, the hood's power supply line needs a suitable safety switch.

Connection

Total connected load 266 W.

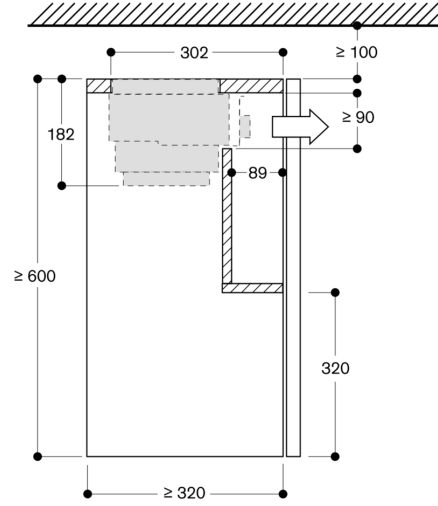
Connecting cable 1.8 m, pluggable.

Cross-section of upper cabinet for AF210 with AA 211 812 and AA 210 492/460 lowering frame



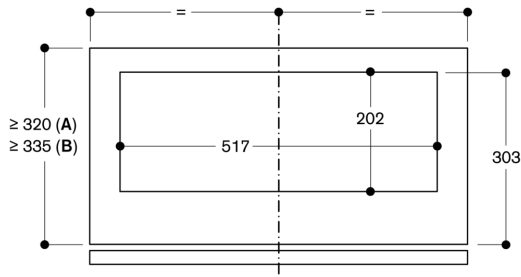
measurements in mm

Cross-section of upper cabinet for AF210 with AA 211 812



measurements in mm

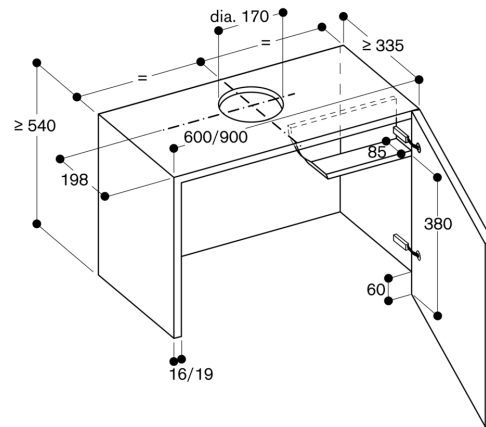
View of upper cabinet from above with AA 211 812



A: Appliance only
B: Appliance with lowering frame

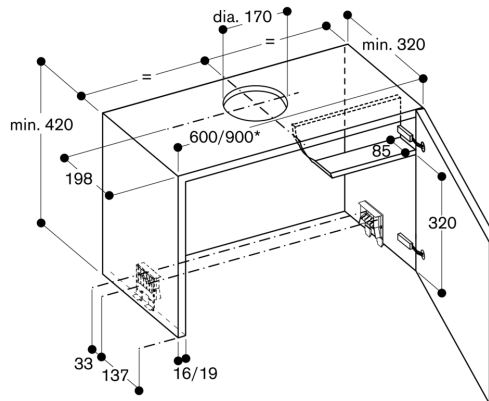
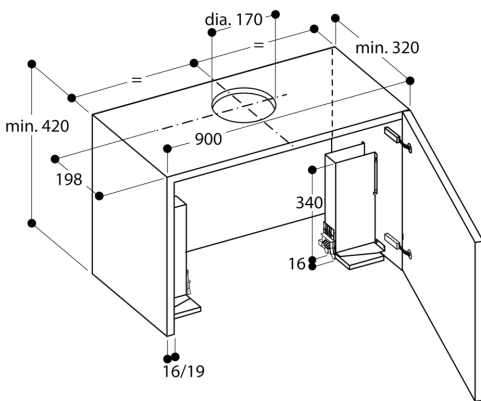
measurements in mm

Upper cabinet for AF 210 with lowering frame



measurements in mm

Upper cabinet for AF 210



* for upper cabinets measuring 90 cm, the AA 210 491 installation set is required in addition

