



AL400121
Table ventilation
stainless steel
Width 120 cm
Air extraction/recirculation
Motorless



Telescopic table ventilation for combination with all Gaggenau cooktops, completely retractable when not in use
 Can be combined perfectly with other Vario appliances of the 400 series
 Dimmable, neutral white surface LED light for ideal illumination of the whole cooktop
 Precision crafting of 3 mm stainless steel
 For surface installation with a visible edge or for flush installation
 Motorless, can be combined with Gaggenau BLDC remote fan units

Output

Power levels depend on the remote fan unit.

Features

Three electronically controlled power levels and an intensive mode.
 Interval ventilation, 6 min.
 Run-on function, 6 min.
 Grease filter saturation indicator.
 Cartridge-type filter, dishwasher-safe.
 Neutral white surface LED light (3600 K), continuously dimmable.
 Lamp output 4 x att LED light strips.
 Illuminance: 191 lx
 Spare covers for closing air outlets.
 No duct connection piece included.
 Consumption data is referred to a configuration with the remote fan unit AR 400 142.
 Energy efficiency class A at a range of energy efficiency classes from A+++ to D.
 Energy consumption 42.6 kWh/year.
 Ventilation efficiency class A.
 Illumination efficiency class E.
 Grease filter efficiency class C.
 Sound level min. 44 dB / max. 59 dB normal mode.

Planning notes

Secure the control unit to the side panel of the cabinet, not to the base of the cabinet or the kitchen floor.
 Connection to the respective appliances via network cable.
 For operation with 4 Vario 200 series cooktops, 3 Vario 400 Series cooktops or a cooktop configuration of up to 120 cm wide.
 Operation of Vario cooking appliances only possible without appliance cover.
 Max. output of cooktops 18 kW.
 Installation is possible in worktops made of stone, synthetics or solid wood. Heat resistance and watertight sealing of the cut edges must be observed. Concerning other materials please consult the worktop manufacturer.
 The remaining surface of the worktop (min. 50 mm) between the cut-outs must be reinforced with a support. It is recommended to use furniture support AA 409 401/431.
 Ovens that do not exceed the maximum allowed cabinet temperature can be combined with the table ventilation if built-in situation permits.
 To avoid smoke when frying/grilling refer to the manuals of VR/VP.

Characteristics

Product name/family
Color chimney
Typology Downdraft
Approval certificates Australia Standards, CE, Eurasian, G-Mark, VDE
Length of electrical supply cord 170
Required niche size for installation (HxWxD) 540mm x 1140.0mm x 122mm
Height of the chimney
Height of product, without chimney 540
Minimum distance above an electric hob
Minimum distance above a gas hob
Net weight 40.499
Type of control Electronic
Number of speed settings
Maximum output air extraction 620
Boost position output recirculating
Maximum output recirculating air 580
Boost position air extraction
Number of lights (Stck) 4
Noise level 59
Diameter of air outlet
Grease filter material Washable stainless steel
EAN code 4242006240592
Connection rating 65
Fuse protection 10
Voltage 230
Frequency 60; 50
Plug type CH plug w/ earthing, Gardy plug w/ earthing, GB plug
Installation type Built-in

Consumption and connection features

created on 2021-10-12
 Page 1

When installing a ventilation hood with air extraction mode and a chimney-vented fireplace, the power supply line of the ventilation appliance needs a suitable safety switch.

Connection

Total connected load 65 W.
 Connecting cable 1.7 m with plug.
 Network cable 1,2 m.

Color Variants

AL400121
 stainless steel
 Width 120 cm

Optional accessories

AA400510
 Window contact switch

Required installation accessories

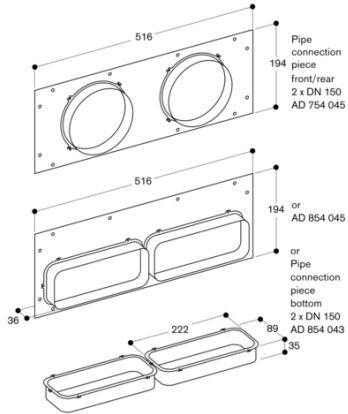
AD854043

Installation Accessories

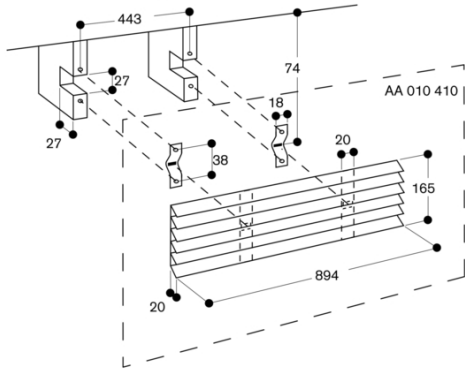
AA010410
 Air exhaust grille recirculation mode
AA409431
 Furniture support for table ventilation
AL 400 120 cm
AD704048
 Air collector box DN 150 round pipe
AD704049
 Air collector box DN 150 flat duct

AL400121
 Table ventilation
 stainless steel
 Width 120 cm
 Air extraction/recirculation
 Motorless
 created on 2021-10-12
 Page 2

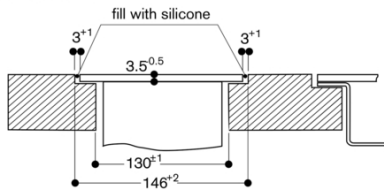
AD 754/854 045 and AD 854 043



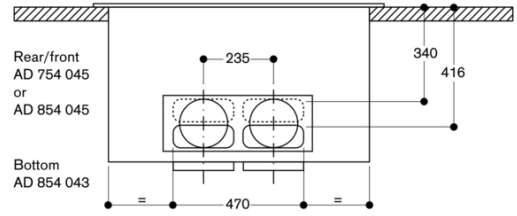
AA 010 410 air exhaust grille



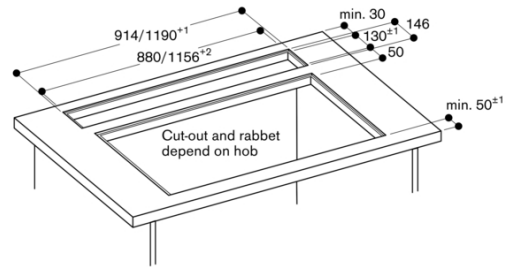
Cross-section



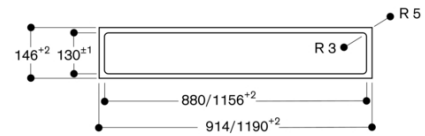
AL 400 connection positions DN 150



AL 400 installed flush

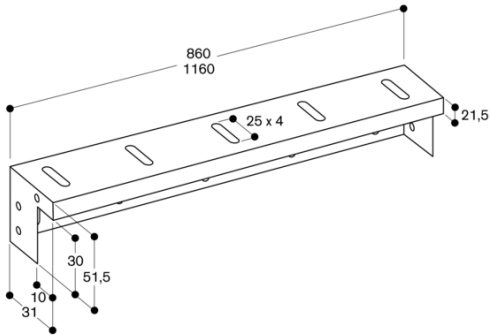


AL 400 cut-out flush-mounted

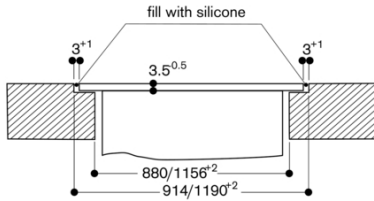


AL400121
 Table ventilation
 stainless steel
 Width 120 cm
 Air extraction/recirculation
 Motorless
 created on 2021-10-12
 Page 3

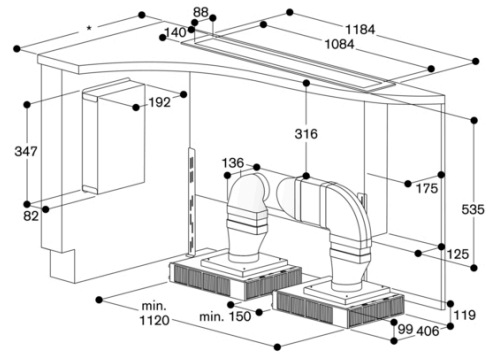
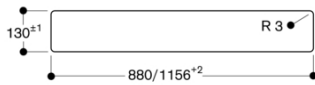
AA 409 401/431 furniture support



Longitudinal section

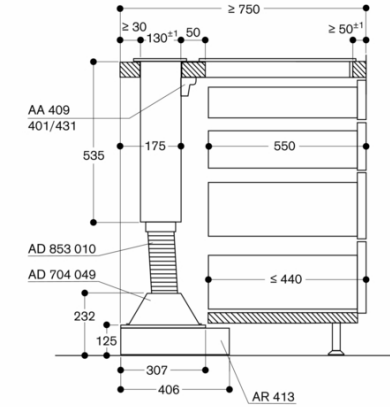


AL 400 cut-out for surface mounting

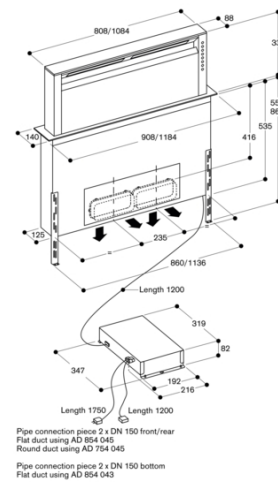


* All cooktops with cut-out depth 492: min. 750

Cross-section of upper cabinet for AL 400 (without back wall) with AR 413; connection at the bottom



measurements in mm



Pipe connection piece 2 x DN 150 front/rear
 Flat duct using AD 854 045
 Round duct using AD 704 045
 Pipe connection piece 2 x DN 150 bottom
 Flat duct using AD 854 043