



AW240191

A

#### Optional accessories

AA200110:

Repl. filter for AA200812/816, AA010810

AA200112:

Activated charc. filter for AA200812/816

AA200812:

Recirculation module w.active charcoal

#### Installation Accessories

AD200322:

Chimney elongation stainless steel

AD200392:

Ceiling Collar Stainless Steel Wall

#### Wall-mounted hood 200 series

90 cm, Stainless steel

AW240191

- Energy saving low-noise fan
- Function for automatic, sensor-controlled power adjustment depending on the build-up of cooking vapours
- Perforated stainless steel grease filters with high grease absorption rate
- Home Connect
- Stainless steel hood with glass cover fitting to oven 200 series

Highly efficient vapour collection by moved slightly inwards filters

Energy-saving, low-noise fan

Perforated sheet metal filter with high grease absorption

Function for automatic, sensor-controlled power adjustment depending on the build-up of cooking vapours

Dimmable, neutral white LED light for ideal illumination of the whole cooktop

Air extraction or recirculation system

#### Output

##### Features

Three electronically controlled power levels and an intensive mode.

Automatic function with sensor-controlled run-on function.

Grease filter saturation indicator.

Activated charcoal filter saturation indicator.

Perforated sheet metal filter, dishwasher-safe.

Interval ventilation, 6 min.

Cooktop-based ventilation control (with suitable cooktop).

Neutral white LED light (3500 K), continuously dimmable.

Light colour in different white tones (2700 - 5000 Kelvin) can be adjusted via Home Connect.

Lamp output 3 x 3W LED lights.

Illuminance 551 lx continuously dimmable.

Fan technology with highly efficient, brushless DC motor.

Airflow-optimised vapour collection area with slightly inward facing filters.

The package includes an one-way flap.

Easy mounting system for simple installation and alignment.

Integrated WiFi module for digital services (Home Connect).

The availability of the Home Connect functionality depends on the availability of the Home Connect Services in your country. Home Connect Services are not available in every country – for further information please check: [www.home-connect.com](http://www.home-connect.com)

##### Product rating

Energy consumption 45.1 kWh/year.

Ventilation efficiency class A.

Illumination efficiency class A.

Grease filter efficiency class B.

Sound level min. 44 dB / max. 64 dB normal mode.

##### Planning notes

The package includes the two-part chimney with

the dimensions from 572 mm to 874 mm.

Individual planning solutions can be implemented using the special accessory chimney extension AD200322 or by shortening the lower edge of the inner chimney.

Clearance above gas appliances min. 65 cm (more than total load gas 12 kW min. 70 cm).

Clearance above electric appliances min. 55 cm.

The recirculation module with activated charcoal filter can be installed on the telescopic chimney.

When installing a ventilation hood with air extraction mode and a chimney-vented fireplace, the hood's power supply line needs to feature a suitable safety switch.

##### Connection

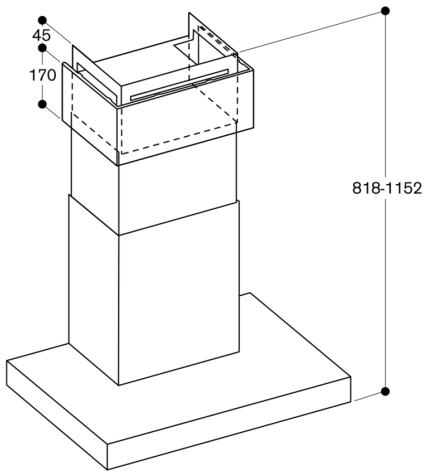
Total connected load 269 W.

Connecting cable 1.3 m with plug.

Power consumption standby/display off 0.5 W.

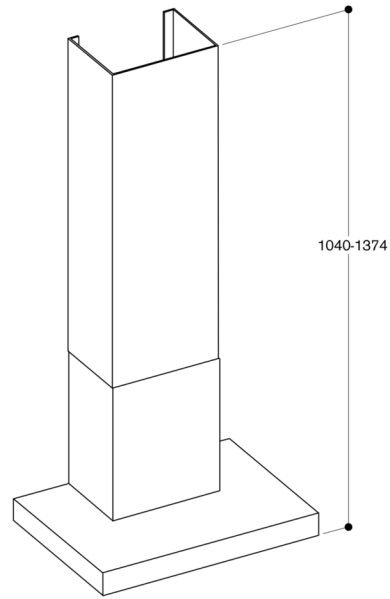
Please check the user manual for how to switch off the WiFi module.

AW 240 with AA 200 812

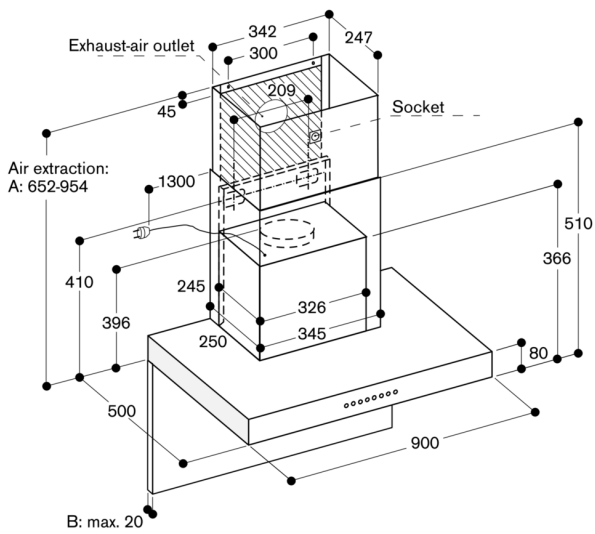


\* Suitable for ceiling heights from 2.45 m to 2.75 m;  
Specifications refer to the distance of 1.60 m from the floor to the lower edge of the hood.

AW 240 with AD 200 322



\* Suitable for ceiling heights from 2.64 m to 2.97 m;  
Specifications refer to the distance of 1.60 m from the floor to the lower edge of the hood.



A: Suitable for ceiling heights from 2.25 m to 2.55 m;  
Specifications refer to the distance of 1.60 m from the floor to the lower edge of the hood.  
B: Note the maximum thickness of the back panel.