



| |
|--|
| AW251192 |
| Wall-mounted hood 200 series |
| Full glass front in Gaggenau metallic |
| Width 90 cm |
| Air extraction/recirculation |
| Delivery without chimney |

Angled vapour screen provides particularly generous free space above the cooktop
 Filter cover with easy to clean glass front
 Glass cover fitting to oven 200 series
 Energy-saving, low-noise fan
 Vapours can be caught efficiently thanks to two suction areas on the underside and front
 The glass panel can be extended forward to increase the area for catching vapours during particularly intensive cooking
 Function for automatic, sensor-controlled power adjustment depending on the build-up of cooking vapours
 Dimmable ambient lighting allows light to be adjusted individually
 Air extraction or recirculation system

Output

Performance and noise level, output level 3/Intensive:
 Air output according to DIN EN 61591.
 Sound power level according to EN 60704-3.
 Sound pressure level according to EN 60704-13.
 Air extraction:
 530 / 960 m³/h.
 57 / 70 dB (A) re 1 pW.
 42 / 55 dB (A) re 20 µPa.
 Air recirculation:
 460 / 670 m³/h.
 68 / 78 dB (A) re 1 pW.
 54 / 64 dB (A) re 20 µPa.
 95% odour reduction.

Features

Three electronically controlled power levels and an intensive mode.
 Automatic function with sensor-controlled run-on function.
 Grease filter and activated charcoal filter saturation indicator.
 Interval ventilation, 6 min.
 Cooktop-based ventilation control (with suitable cooktop).
 Integrated WiFi module for digital services (Home Connect).
 The availability of the Home Connect functionality depends on the availability of the Home Connect Services in your country. Home Connect Services are not available in every country – for further information please check: www.home-connect.com
 Metal grease filter, dishwasher-safe.
 Glass filter cover in Gaggenau metallic.
 2 activated charcoal filter fitted in appliance ex factory.
 Neutral white LED light (3500 K), continuously dimmable.
 Lamp output 2 x LM5-01_LED_3W.
 Illuminance: 460 lx
 Indirect LED light (3.000 K), dimmable.
 Fan technology with highly efficient, brushless DC motor.
 Integrated sound insulation for quiet operation.
 Easy to clean inner frame.
 Easy mounting system for simple installation and alignment.

Product rating

Energy efficiency class A+.

| |
|--|
| Characteristics |
| Product name/family |
| Color chimney |
| Typology |
| Chimney |
| Approval certificates |
| CE, Eurasian, G-Mark, Ukraine, VDE |
| Length of electrical supply cord (cm) |
| 130 |
| Required niche size for installation (HxWxD) |
| Height of the chimney (mm) |
| Height of product, without chimney (mm) |
| 452 |
| Minimum distance above an electric hob |
| 450 |
| Minimum distance above a gas hob |
| 600 |
| Net weight (kg) |
| 24.491 |
| Type of control |
| Electronic |
| Number of speed settings |
| Maximum output air extraction (m³/h) |
| 529 |
| Boost position output recirculating (m³/h) |
| 670.0 |
| Maximum output recirculating air (m³/h) |
| Boost position air extraction (m³/h) |
| 990 |
| Number of lights (Stck) |
| 2 |
| Noise level (dB(A) re 1 pW) |
| 57 |
| Diameter of air outlet (mm) |
| 150 |
| Grease filter material |
| Washable aluminium |
| EAN code |
| 4242006264512 |
| Consumption and connection features |
| Connection rating (W) |
| 270 |
| Current (A) |
| 10 |
| Voltage (V) |
| 220-240 |
| Frequency (Hz) |
| 60; 50 |
| Plug type |
| Gardy plug w/ earthing |
| Installation type |
| Wall-mounted |

created on 2020-03-29

Page 1

Energy consumption xxx.
 Ventilation efficiency class A.
 Illumination efficiency class A.
 Grease filter efficiency class B.
 Sound level min. 42 dB / max. 57 dB normal mode.

Planning notes

The ventilation appliance is supplied for air recirculation mode only without a chimney. The special accessory AD 200 012 is available for potential air extraction mode.
 Clearance above gas appliances min. 60 cm (more than total load gas 12 kW min. 70 cm).
 Clearance above electric appliances min. 45 cm.
 When installing a ventilation hood with air extraction mode and a chimney-vented fireplace, the hood's power supply line needs a suitable safety switch.

Connection

Total connected load 270 W.
 Connecting cable 1.3 m with plug.
 Power consumption standby/display off 0.5 W.
 Power consumption standby/network 2 W.
 Please check the user manual for how to switch off the WiFi module.

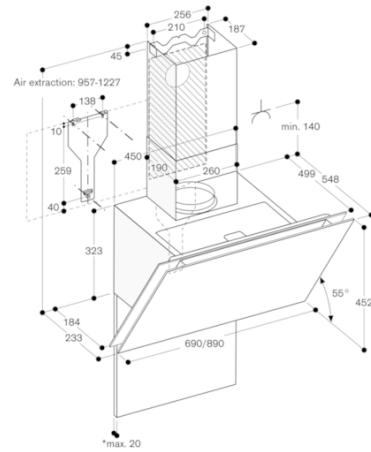
Color Variants

| |
|--|
| AW251192 |
| Full glass front in Gaggenau metallic |
| Width 90 cm |
| AW250192 |
| Full glass front in Gaggenau anthracite |
| Width 90 cm |
| AW253192 |
| Full glass front in Gaggenau silver |
| Width 90 cm |

AW251192
Wall-mounted hood 200 series
Full glass front in Gaggenau metallic
Width 90 cm
Air extraction/recirculation
Delivery without chimney

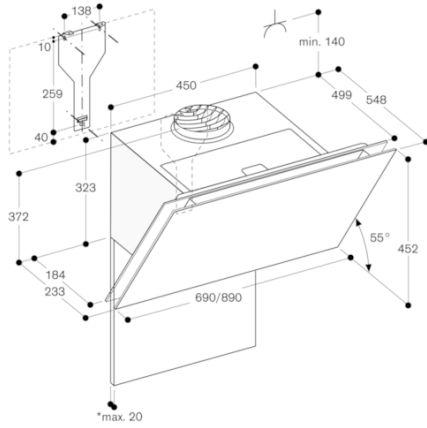
created on 2020-03-29
Page 2

Air extraction



*max. 20
* Note the maximum thickness of the back panel.

Air recirculation



*max. 20
* Note the maximum thickness of the back panel.