



Color Variants

AW270192
Full glass front in Gaggenau anthracite
Width 90 cm

Installation Accessories

AD200012
Stainless steel air extraction chimney

AW270192
Wall-mounted hood 200 series
Full glass front in Gaggenau anthracite
Width 90 cm
Air extraction/recirculation
Delivery without chimney

B

Vertical vapour screen provides particularly generous free space above the cooktop

Filter cover with easy to clean glass front

Glass cover fitting to oven 200 series

Energy-saving, low-noise fan
Vapours can be caught efficiently thanks to two suction areas on the underside and front

The glass panel can be extended forward to increase the area for catching vapours during particularly intensive cooking

Function for automatic, sensor-controlled power adjustment depending on the build-up of cooking vapours

Dimmable ambient lighting allows light to be adjusted individually

Air extraction or recirculation system

Output

Performance and noise level, output level 3/Intensive:

Air output according to DIN EN 61591.
Sound power level according to EN 60704-3.

Sound pressure level according to EN 60704-13.

95% odour reduction.

Features

Three electronically controlled power levels and an intensive mode.

Automatic function with sensor-controlled run-on function.

Grease filter and activated charcoal filter saturation indicator.

Interval ventilation, 6 min.

Cooktop-based ventilation control (with suitable cooktop).

Integrated WiFi module for digital services

(Home Connect).

The availability of the Home Connect functionality depends on the availability of the Home Connect Services in your country. Home Connect Services are not available in every country – for further information please check: www.home-connect.com

Metal grease filter, dishwasher-safe.
Glass filter cover in Gaggenau anthracite.

2 activated charcoal filter fitted in appliance ex factory.

Neutral white LED light (3500 K), continuously dimmable.

Lamp output 2 x 3w LED Light.
Illuminance: 578 lx

Indirect LED light (3.000 K), dimmable.

Fan technology with highly efficient, brushless DC motor.

Easy to clean inner frame.

Easy mounting system for simple installation and alignment.

Product rating

Energy consumption 45 kWh/year.

Ventilation efficiency class B.

Illumination efficiency class A.

Grease filter efficiency class B.

Sound level min. 43 dB / max. 57 dB normal mode.

Planning notes

Characteristics

Product name/family

Color chimney

Typology

Wall-mounted

Approval certificates

CE, Eurasian, G-Mark, Ukraine, VDE

Length of electrical supply cord

130

Required niche size for installation (HxWxD)

Height of the chimney

Height of product, without chimney

500

Minimum distance above an electric hob

450

Minimum distance above a gas hob

600

Net weight

23.530

Type of control

Electronic

Number of speed settings

Maximum output air extraction

396

Boost position output recirculating

510.0

Maximum output recirculating air

288

Boost position air extraction

712

Number of lights (Stck)

2

Noise level

57

Diameter of air outlet

150

Grease filter material

Washable aluminium

EAN code

4242006264567

Connection rating

150

Fuse protection

10

Voltage

220-240

Frequency

60; 50

Plug type

Gardy plug w/ earthing

Installation type

Wall-mounted

Consumption and connection features

created on 2021-12-03

Page 1

The ventilation appliance is supplied for air recirculation mode only without a chimney. The special accessory AD 200 012 is available for potential air extraction mode.

Clearance above gas appliances min. 60 cm (more than total load gas 12 kW min. 70 cm).

Clearance above electric appliances min. 45 cm.

When installing a ventilation hood with air extraction mode and a chimney-vented fireplace, the hood's power supply line needs a suitable safety switch.

Connection

Total connected load 150 W.

Connecting cable 1.3 m with plug.

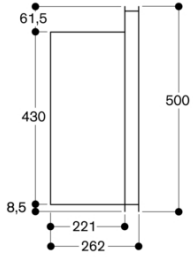
Power consumption standby/display off 0.5 W.

Please check the user manual for how to switch off the WiFi module.

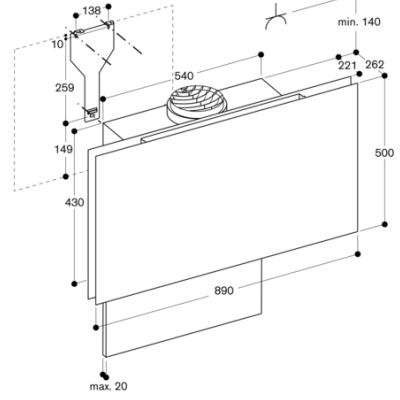
AW270192
 Wall-mounted hood 200 series
 Full glass front in Gaggenau anthracite
 Width 90 cm
 Air extraction/recirculation
 Delivery without chimney

created on 2021-12-03
 Page 2

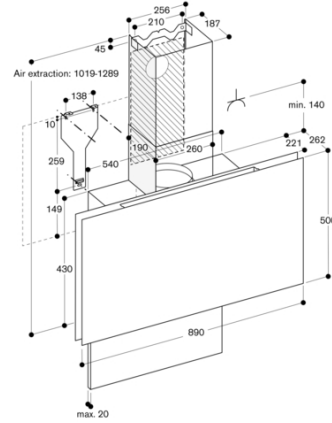
Side view



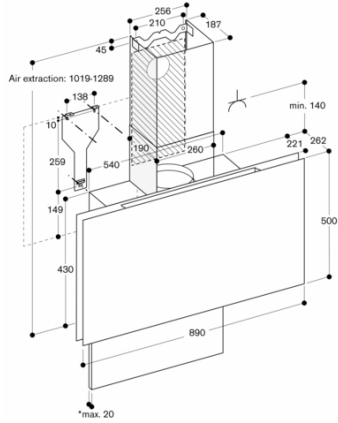
Air recirculation



Air extraction

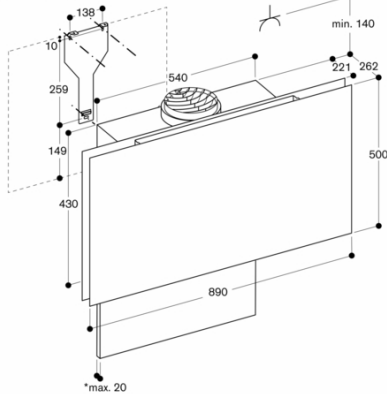


Air extraction



* Note the maximum thickness of the back panel.

Air recirculation



* Note the maximum thickness of the back panel.