



BMP224110

Microwave oven 200 series  
Door hinge: Right, Gaggenau Metallic  
**BMP224110**

- Sequential operation of up to 5 modes including programming of combined operation and rest time

- Flush installation

Handleless door / automatic door opening / door opening via voice assistant possible

Single operation and combination of microwave and grill

Sequential operation of up to 5 modes incl. programming of combined operation and rest time

TFT touch display

Electronic temperature control

Interior volume 21 litres

#### Programmes

Microwave operation with 5 output levels: 900, 600, 360, 180, 90 W.

Full surface grill with 3 levels of intensity, maximum output 1300 W.

Full surface grill with microwave output levels 360, 180 and 90 W combinable.

10 automatic programmes with weight indication:

3 defrosting programmes 4 cooking programmes 3 combination programmes  
Option to save individual recipes.

#### Handling

Automatic door opening.

Rotary knob and TFT touch display operation.

Clear text display.

Information key with use indications.

Side-opening door opens up to 110° angle.

#### Features

Innowave.

Actual temperature display.

25 W interior light.

Hygienic stainless steel interior with glass ceramic base.

#### Safety

Thermally insulated door with double glazing.

Triple door lock.

Child lock.

Safety shut-off.

Cooled housing with temperature protection.

#### Planning notes

Door hinge not reversible.

Minimum installation height 85 cm (top edge of niche bottom).

Height-adjustable feet.

Installation of BMP above BOP with intermediate shelf.

Necessary lateral gap between appliance door and furniture panel of min. 5 mm.

The door panel surface of the appliance extends 21 mm from the furniture cavity.

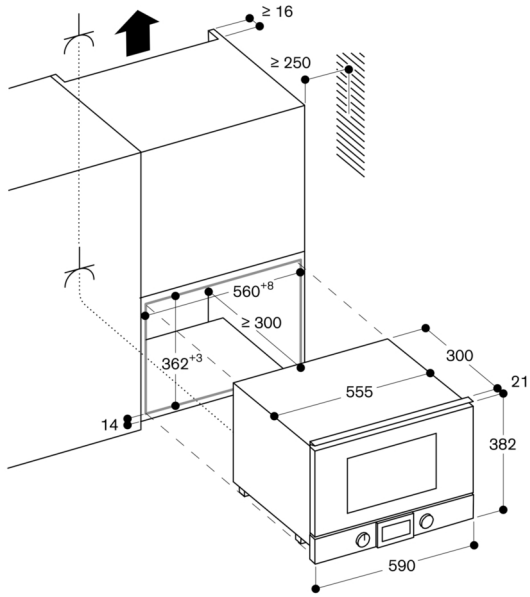
When planning a corner solution, pay attention to the side-opening door and the minimum required distance to the wall.

#### Connection

Total connected load 2.0 KW.

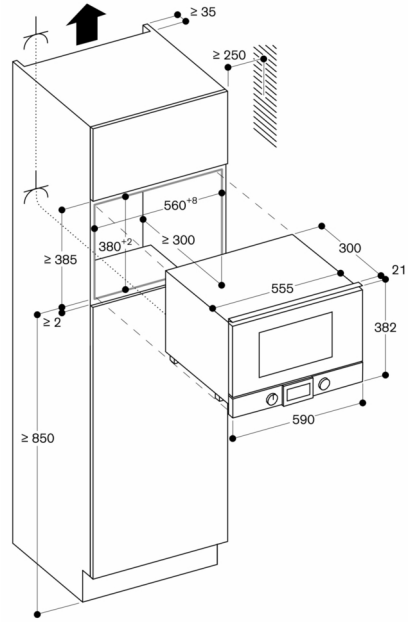
Connection cable 1.7 m, pluggable.

Installation in an upper cabinet



Socket  
measurements in mm

Installation in a tall cupboard



Socket  
measurements in mm

Side view of BMP 224/225 over BOP

