



**BMP225100**  
**Microwave oven 200 series**  
**Full glass door in Gaggenau Anthracite**  
**Width 60 cm**  
**Controls at the bottom**

Flush installation  
Handleless door / automatic door opening / door opening via voice assistant possible  
Single operation and combination of microwave and grill  
Sequential operation of up to 5 modes incl. programming of combined operation and rest time  
TFT touch display  
Electronic temperature control  
Interior volume 21 litres

#### Programmes

Microwave operation with 5 output levels: 900, 600, 360, 180, 90 W.  
Full surface grill with 3 levels of intensity, maximum output 1300 W.  
Full surface grill with microwave output levels 360, 180 and 90 W combinable.  
10 automatic programmes with weight indication:  
3 defrosting programmes 4 cooking programmes 3 combination programmes  
Option to save individual recipes.

#### Handling

Automatic door opening.  
Rotary knob and TFT touch display operation.  
Information key with use indications.  
Side-opening door opens up to 110° angle.

#### Features

Innowave.  
Actual temperature display.  
25 W interior light.  
Hygienic stainless steel interior with glass ceramic base.

#### Safety

Thermally insulated door with double glazing.  
Triple door lock.  
Child lock.  
Safety shut-off.  
Cooled housing with temperature protection.

#### Planning notes

Door hinge not reversible.  
Minimum installation height 85 cm (top edge of niche bottom).  
Height-adjustable feet.  
Installation of BMP above BOP with intermediate shelf.  
Necessary lateral gap between appliance door and furniture panel of min. 5 mm.  
The door panel surface of the appliance extends 21 mm from the furniture cavity.  
When planning a corner solution, pay attention to the 90° door opening angle.

#### Connection

Total connected load 2.0 KW.

#### Characteristics

**Type of micro-wave oven**  
MW+Grill function  
**Type of control**  
Electronic  
**Color / Material Front**  
Anthracite  
**Dimensions**  
**Cavity dimensions**  
220 x 350 x 270  
**Approval certificates**  
CE, E17D UKCA marking, Ukraine, VDE  
**Length of electrical supply cord**  
170  
**Net weight**  
18.9  
**Gross weight**  
21.6  
**EAN code**  
4242006218485  
**Maximum micro-wave power**  
900  
**Connection rating**  
1990  
**Fuse protection**  
10  
**Voltage**  
220-240  
**Frequency**  
60; 50  
**Plug type**  
Gardy plug w/ earthing  
**Cavity dimensions**  
220 x 350 x 270

#### Consumption and connection features

created on 2022-08-09

Page 1

#### Color Variants

**BMP225100**  
**Full glass door in Gaggenau Anthracite**  
**Width 60 cm**  
**BMP225110**  
**Full glass door in Gaggenau Metallic**  
**Width 60 cm**  
**BMP225130**  
**Full glass door in Gaggenau Silver**  
**Width 60 cm**

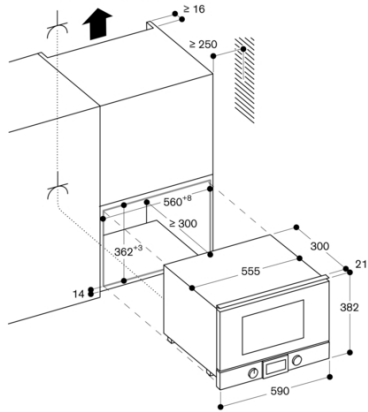
#### Included accessories

1 x glass pan.  
1 x grid.

#### Product Variants

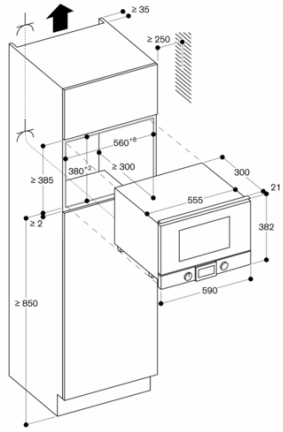
**BMP224100**  
**Microwave oven 200 series**  
**Full glass door in Gaggenau Anthracite**  
**Width 60 cm**  
**Controls at the bottom**

Installation in an upper cabinet



Socket  
 measurements in mm

Installation in a tall cupboard



Socket  
 measurements in mm

Side view of BMP 224/225 over BOP

