



BMP225110

Microwave oven 200 series
Door hinge: Left, Gaggenau Metallic
BMP225110

- Sequential operation of up to 5 modes including programming of combined operation and rest time

- Flush installation

Handleless door / automatic door opening / door opening via voice assistant possible

Single operation and combination of microwave and grill

Sequential operation of up to 5 modes incl. programming of combined operation and rest time

TFT touch display

Electronic temperature control

Interior volume 21 litres

Programmes

Microwave operation with 5 output levels: 900, 600, 360, 180, 90 W.

Full surface grill with 3 levels of intensity, maximum output 1300 W.

Full surface grill with microwave output levels 360, 180 and 90 W combinable.

10 automatic programmes with weight indication:

3 defrosting programmes 4 cooking programmes 3 combination programmes
Option to save individual recipes.

Handling

Automatic door opening.

Rotary knob and TFT touch display operation.

Clear text display.

Information key with use indications.

Side-opening door opens up to 110° angle.

Features

Innowave.

Actual temperature display.

25 W interior light.

Hygienic stainless steel interior with glass ceramic base.

Safety

Thermally insulated door with double glazing.

Triple door lock.

Child lock.

Safety shut-off.

Cooled housing with temperature protection.

Planning notes

Door hinge not reversible.

Minimum installation height 85 cm (top edge of niche bottom).

Height-adjustable feet.

Installation of BMP above BOP with intermediate shelf.

Necessary lateral gap between appliance door and furniture panel of min. 5 mm.

The door panel surface of the appliance extends 21 mm from the furniture cavity.

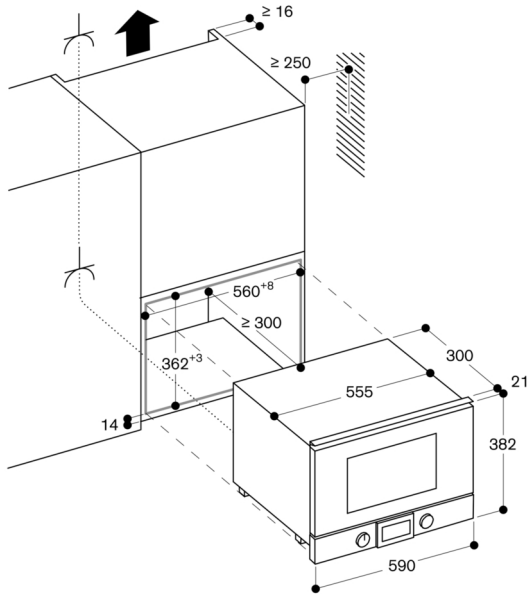
When planning a corner solution, pay attention to the side-opening door and the minimum required distance to the wall.

Connection

Total connected load 2.0 KW.

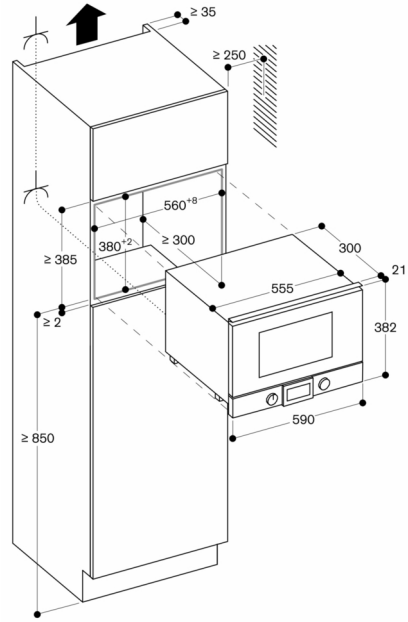
Connection cable 1.7 m, pluggable.

Installation in an upper cabinet



Socket
measurements in mm

Installation in a tall cupboard



Socket
measurements in mm

Side view of BMP 224/225 over BOP

