



BO421112



1 x enamel baking tray, suit. pyrolytic clean  
1 x glass pan  
1 x grill shelf

BA016105:

1 telescopic shelf rail, for 60cm oven

BA026115:

Baking tray, for 60cm oven

BA036105:

wire rack, for 60cm oven

BA046117:

Glass tray, for 60cm oven

BA056115:

Heating elem. 230 V, for 60cm oven

BA056133:

Baking stone for 60 cm oven

BA226105:

Grill tray, for 60cm oven

BS020002:

Set of 2 pizza paddles

GN340230:

Gastronorm roaster GN 2/3

oven 400 series

60 x 60 cm, door hinge: left, Stainless steel behind glass

BO421112

- Handleless door / automatic door opening
- Pyrolytic cleaning programme heats up to 485 °C
- 9 heating methods up to 300 °C
- 76 litres net volume
- Handleless door / automatic door opening / door opening via voice assistant possible

Pyrolytic system

9 heating methods, with baking stone function

TFT touch display

Panel-free appliance with surface control module

Electronic temperature control from 50 °C to 300 °C

76 litres net volume

#### Heating methods

Hot air.

Eco hot air. Top + bottom heat. Top heat.

Bottom heat. Hot air+ bottom heat. Full surface grill + circulated air. Full surface grill. Baking stone function.

#### Handling

Automatic door opening.

Rotary knob and TFT touch display operation.

Clear text display.

Option to save individual recipes.

Information key with use indications.

Side-opening door opens up to 180° angle.

#### Features

Baking stone socket.

Actual temperature display.

Rapid heating.

Timer functions: cooking time, cooking time end, timer, stopwatch, long-term timer (certified by Star-K).

60 W halogen light on the top.

Enamelled side shelf supports with 4 tray levels, pyrolysis-safe.

#### Selected digital services (Home Connect)

Remote control and monitoring.

Recipes.

Home network integration for digital services (Home Connect) either via cable connection LAN (recommended) or wireless via WiFi.

The availability of the Home Connect functionality depends on the availability of the Home Connect Services in your country. Home Connect Services are not available in every country – for further information please check: [www.home-connect.com](http://www.home-connect.com)

#### Safety

Thermally insulated door with quadruple glazing.

Child lock.

Safety shut-off.

Cooled housing with temperature protection.

#### Cleaning

Pyrolytic system.

Gaggenau enamel.

Heated air cleaning catalyser.

#### Planning notes

Door hinge not reversible.

The façade of the appliance extends 47 mm from the furniture cavity.

If the handle (optional accessory) is retrofitted, the outer edge of the door handle extends 94 mm from the furniture cavity.

Consider the overhang, incl. the door handle where applicable, when planning to open drawers next to the appliance.

When planning a corner solution, pay attention to the side-opening door and the minimum required distance to the wall.

To achieve the 550 mm installation depth, the connection cable needs to follow the slanted edge on the lower right hand corner of the housing.

The main socket needs to be planned outside of the niche.

The LAN port can be found at the back on the upper right side.

#### Connection

Energy efficiency class A at a range of energy efficiency classes from A+++ to D.

Total connected load 3.7 KW.

Plan a connection cable.

Power consumption standby/display on 0.7 W.

Power consumption standby/display off 0.5 W.

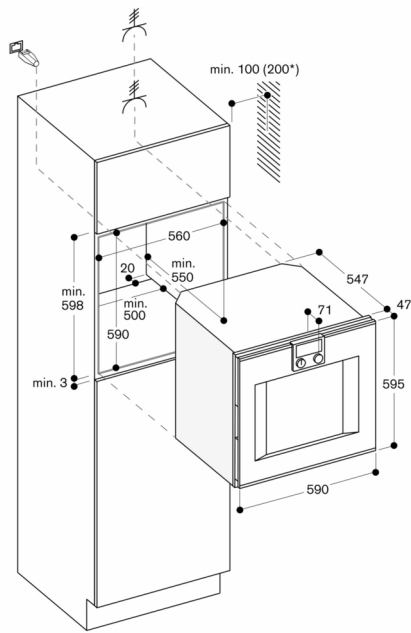
Power consumption standby/network 1.4 W.

Time auto-standby/display on 20 min.

Time auto-standby/display off 20 min.#

Time auto-standby/network 20 min.

Plan a LAN cable.



\* 200 mm in conjunction with BA 016