



**BO481112**  
**Oven 400 series**  
**Stainless steel-backed full glass door**  
**Width 76 cm**  
**controls at the top**



Handleless door / automatic door opening / door opening via voice assistant possible  
 Pyrolytic system  
 17 heating methods, with core temperature probe, rotisserie spit and baking stone function  
 Automatic programmes  
 Core temperature probe with estimation of cooking time  
 TFT touch display  
 Panel-free appliance with surface control module  
 Electronic temperature control from 30 °C to 300 °C  
 110 litres net volume

**Heating methods**

Hot air.  
 Eco hot air. Top + bottom heat. Top + 1/3 bottom heat. Top heat. 1/3 top + bottom heat. Bottom heat. Hot air + bottom heat. Hot air + 1/3 bottom heat. Full surface grill + circulated air. Full surface grill. Compact grill. Baking stone function. Roaster function. Dough proofing. Defrosting. Keeping warm.

**Handling**

Automatic door opening.  
 Rotary knob and TFT touch display operation.  
 Clear text display.  
 Option to save individual recipes (incl. core temperature probe).  
 Personalisation of automatic programmes.  
 Information key with use indications.  
 Side-opening door opens up to 180° angle.

**Features**

Three-point core temperature probe with automatic shut-off and estimation of cooking time.  
 Automatic programmes.  
 Rotisserie spit.  
 Baking stone socket.  
 Actual temperature display.  
 Rapid heating.  
 Timer functions: cooking time, cooking time end, timer, stopwatch, long-term timer (certified by Star-K).  
 60 W halogen light on the top.  
 2 x 10 W halogen light on the side.  
 Enamelled side shelf supports with 3 tray levels, pyrolysis-safe.  
 Home network integration for digital services (Home Connect) either via cable connection LAN (recommended) or wireless via WiFi.  
 The availability of the Home Connect functionality depends on the availability of the Home Connect Services in your country. Home Connect Services are not available in every country – for further information please check: [www.home-connect.com](http://www.home-connect.com)

**Safety**

Thermally insulated door with quadruple glazing.  
 Child lock.  
 Safety shut-off.  
 Cooled housing with temperature protection.

**Cleaning**

Pyrolytic system.  
 Gaggenau enamel.  
 Heated air cleaning catalyser.

**Characteristics**

**Color / Material Front**  
**Construction type**  
 Built-in  
**Integrated Cleaning system**  
 Pyrolytic  
**Required niche size for installation (HxWxD)**  
 665-665 x 724-724 x 550  
**Dimensions**  
 670 x 752 x 547  
**Dimensions of the packed product (HxWxD)**  
 860 x 760 x 850  
**Control Panel Material**  
 without panel  
**Door Material**  
 Stainless steel behind glass  
**Net weight**  
 78.7  
**Usable volume of cavity**  
 110  
**Cooking method**  
 Baking stone function, Bottom heat, Conventional heat, Defrost, Dough proving, Full width grill, Half width grill, Hot Air, Hot Air-Eco, Hot air grilling, Roaster function, Top heat, warming  
**First cavity material**  
**Oven control**  
 electronic  
**Number of interior lights**  
 3  
**Approval certificates**  
 Australia Standards, CE, Eurasian, G-Mark, Ukraine, VDE  
**Length of electrical supply cord**  
**EAN code**  
 4242006286118  
**Number of cavities (2010/30/EC)**  
 1  
**Energy efficiency rating**  
 A  
**Energy consumption per cycle conventional (2010/30/EC)**  
 1.53  
**Energy consumption gas oven per cycle conventional (2010/30/EC)**  
**Energy consumption per cycle forced air convection (2010/30/EC)**  
 0.96  
**Energy consumption gas oven per cycle forced air convection (2010/30/EC)**  
**Energy efficiency index (2010/30/EC)**  
 95.0  
**Connection rating**  
 5520  
**Fuse protection**  
 25  
**Voltage**  
 220-240  
**Frequency**  
 50  
**Plug type**  
 fixed connection, no plug

**Consumption and connection features**

created on 2022-07-29

Page 1

**Planning notes**

Door hinge not reversible.  
 The façade of the appliance extends 47 mm from the furniture cavity.  
 When planning a corner solution, pay attention to the 90° door opening angle.  
 To achieve the 550 mm installation depth, the connection cable needs to follow the slanted edge on the lower right hand corner of the housing.  
 The main socket needs to be planned outside of the niche.  
 The LAN port can be found at the back on the upper right side.

**Connection**

Energy efficiency class A at a range of energy efficiency classes from A+++ to D.  
 Total connected load 5.5 KW.  
 Plan a connection cable.  
 Plan a LAN cable.  
 Power consumption standby/display on 0.7 W.  
 Power consumption standby/display off 0.5 W.  
 Power consumption standby/network 1.4 W.  
 Time auto-standby/display on 20 min.  
 Time auto-standby/display off 20 min.  
 Time auto-standby/network 20 min.  
 Please check the user manual for how to switch off the WiFi module.

**Color Variants**

**BO481112**  
**Stainless steel-backed full glass door**  
**Width 76 cm**

**Included accessories**

1 x enamel baking tray.  
 suit. pyrolytic clean.  
 1 x rotary spit.  
 1 x grill shelf.  
 1 x grill tub with grid.  
 1 x pluggable meat probe.

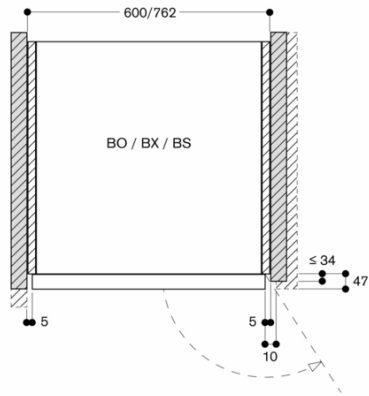
**Optional accessories**

**BA018105**  
**Pull-out system**  
**BA028115**  
**Baking tray, enamelled**  
**BA038105**  
**Wire rack, chromium-plated**  
**BA058115**  
**Heating element for baking stone and Gastronorm roaster**  
**BA058133**  
**Baking stone**  
**BS020002**  
**Pizza paddle, set of 2**  
**GN340230**  
**Gastronorm roaster in cast aluminium**

**Product Variants**

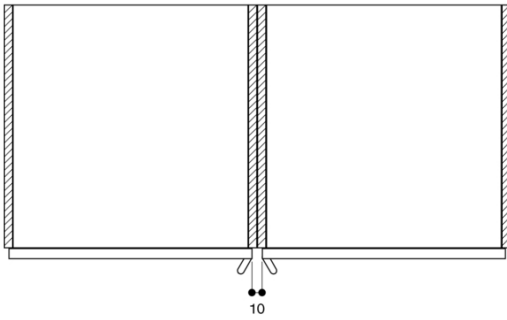
**BO480112**  
**Oven 400 series**  
**Stainless steel-backed full glass door**  
**Width 76 cm**  
**controls at the top**

Air inlet cross section at the door edges



Measurements in mm

When installed next to each other



Cross section of the top/bottom door edge gaps

