



BOP211132



1 x enamel baking tray, suit. pyrolytic clean  
1 x grill shelf  
1 x grill tub

BA056115:  
Heating elem. 230 V, for 60cm oven

BA056130:  
Baking stone for 60 cm oven

BA216102:  
4 telescopic shelf rails

BA226102:  
Grill tray, for oven BOP21\*

BA226112:  
Baking tray, for oven BOP21\*

BS020002:  
Set of 2 pizza paddles

BA036102:  
Wire shelf, for oven BOP21\*

BA046117:  
Glass tray, for 60cm oven

oven 200 series  
60 x 60 cm, door hinge: left, Gaggenau Silver  
BOP211132

– Flush installation  
– 9 heating methods up to 300 °C  
– Flush installation  
9 heating methods, with baking stone function  
TFT touch display  
Panel-free appliance with surface control module  
Electronic temperature control from 50 °C to 300 °C  
76 litres net volume

#### Heating methods

Hot air.  
Eco hot air. Top + bottom heat. Top heat.  
Bottom heat. Hot air+ bottom heat. Full surface grill + circulated air. Full surface grill. Baking stone function.

#### Handling

Rotary knob and TFT touch display operation.  
Clear text display.  
Option to save individual recipes.  
Information key with use indications.  
Side-opening door opens up to 110° angle.

#### Features

Baking stone socket.  
Actual temperature display.  
Rapid heating.  
Timer functions: cooking time, cooking time end, timer, stopwatch, long-term timer (certified by Star-K).  
60 W halogen light on the top.  
Enamelled wire racks on the side with 4 rack levels.

#### Selected digital services (Gaggenau Home Connect)

Remote control and monitoring.  
Recipes.  
Home network integration for digital services (Home Connect) either via cable connection LAN (recommended) or wireless via WiFi.  
The availability of the Home Connect functionality depends on the availability of the Home Connect Services in your country. Home Connect Services are not available in every country – for further information please check: [www.home-connect.com](http://www.home-connect.com)

#### Safety

Thermally insulated door with triple glazing.  
Child lock.  
Safety shut-off.  
Cooled housing with temperature protection.

#### Cleaning

Gaggenau enamel.  
Heated air cleaning catalyser.

#### Planning notes

Door hinge not reversible.  
The door panel surface of the appliance extends 21 mm from the furniture cavity.  
The outer edge of the door handle extends 72 mm from the furniture cavity.  
Necessary lateral gap between appliance door and furniture panel of min. 5 mm.

Consider the overhang, incl. the door handle, when planning to open drawers next to the appliance.

When planning a corner solution, pay attention to the side-opening door and the minimum required distance to the wall.

For installation underneath cooktops: distance between the underside of the cooktop and the top edge of the oven housing: min. 15 mm. The planning notes for the cooktops (particularly regarding ventilation, gas/electric connection) must be taken into account.

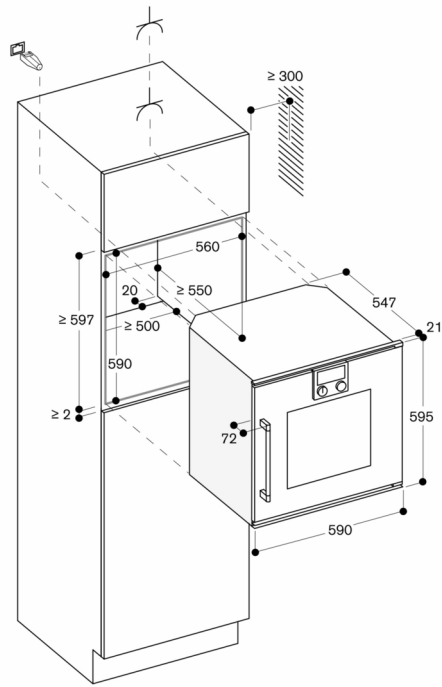
To achieve the 550 mm installation depth, the connection cable needs to follow the slanted edge on the corner of the housing.

The main socket needs to be planned outside of the niche.

The LAN port can be found at the back on the upper right side.

#### Connection

Energy efficiency class A at a range of energy efficiency classes from A+++ to D.  
Total connected load 3.7 KW.  
Plan a connection cable.  
Power consumption standby/display on 0.7 W.  
Power consumption standby/display off 0.5 W.  
Power consumption standby/network 1.4 W.  
Time auto-standby/display on 20 min.  
Time auto-standby/display off 20 min.#  
Time auto-standby/network 20 min.  
Plan a LAN cable.



measurements in mm