



BSP251131
Combi-steam oven 200 series
Full glass door in Gaggenau Silver
Width 60 cm
controls at the top



Flush installation
 Water tank for fresh and waste water
 Large cavity
 LED light source
 External steam generation
 Steaming without pressure
 Hot air 30 °C to 230 °C can be combined with chosen humidity level of 0%, 30%, 60%, 80% or 100%
 Sous-vide cooking with accurate temperature regulation
 Full surface grill behind glass ceramic, combinable with circulated air up to 230 °C and steam
 Automatic programmes
 Core temperature probe with estimation of cooking time
 Hot air fan rotates in both directions for ideal heat distribution
 TFT touch display
 Panel-free appliance with surface control module
 Electronic temperature control from 30 °C to 230 °C
 50 litres net volume

Heating methods
 Hot air + 100 % humidity.
 Hot air + 80 % humidity. Hot air + 60 % humidity. Hot air + 30 % humidity. Hot air + 0 % humidity. Low temperature cooking. Sous-vide cooking. Full surface grill level 1 + humidity. Full surface grill level 2 + humidity. Full surface grill + circulated air. Dough proofing. Defrosting. Regenerating.

Handling
 Rotary knob and TFT touch display operation.
 Clear text display.
 Option to save individual recipes (incl. core temperature probe).
 Personalisation of automatic programmes.
 Information key with use indications.
 Side-opening door opens up to 110° angle.

Features
 Full surface grill 2000 W behind glass ceramic.
 2 removable 1.7 litre water tanks.
 Water level warning.
 Three-point core temperature probe with automatic shut-off and estimation of cooking time.
 Automatic programmes.
 Actual temperature display.
 Timer functions: cooking time, cooking time end, timer, stopwatch, long-term timer (certified by Star-K).
 Automatic boiling point detection.
 LED light on the side.
 Hygienic stainless steel cooking interior.
 3 tray levels.
 Home network integration for digital services (Home Connect) either via cable connection LAN (recommended) or wireless via WiFi.
 The availability of the Home Connect functionality depends on the availability of the Home Connect Services in your country. Home Connect Services are not available in every country – for further information please check: www.home-connect.com

Safety

Characteristics
Color / Material Front
Construction type
 Built-in
Door opening
 Lateral
Required niche size for installation (HxWxD)
 450-450 x 560-560 x 550
Dimensions
Dimensions of the packed product (HxWxD)
 590 x 660 x 700
Control Panel Material
 without panel
Door Material
 Glass
Net weight
 45.3
Approval certificates
 Australia Standards, CCC, CE, China, China ROHS 20, Eurasian, G-Mark, Ukraine, VDE
Length of electrical supply cord
 150
EAN code
 4242006278175
Electrical connection rating
Fuse protection
 16
Voltage
 220-240
Frequency
 50
Plug type
 Gardy plug w/ earthing
Approval certificates
 Australia Standards, CCC, CE, China, China ROHS 20, Eurasian, G-Mark, Ukraine, VDE
Number of cavities (2010/30/EC)
 1
Usable volume (of cavity) - NEW (2010/30/EC)
 50
Energy efficiency rating
 A
Energy consumption per cycle conventional (2010/30/EC)
Energy consumption gas oven per cycle conventional (2010/30/EC)
Energy consumption per cycle forced air convection (2010/30/EC)
 0.72
Energy consumption gas oven per cycle forced air convection (2010/30/EC)
Energy efficiency index (2010/30/EC)
 94.7

Consumption and connection features
 created on 2022-08-09
 Page 1

Child lock.
 Safety shut-off.
 Cooled housing with temperature protection.

Cleaning
 Cleaning aid.
 Descaling programme for the steam generator.
 Drying function.
 Water tank, dishwasher-safe.
 Grease filter, dishwasher-safe.
 Strainer filter, removable.

Planning notes
 Door hinge not reversible.
 No other electrical appliances should be installed above the BS.
 The door panel surface of the appliance extends 21 mm from the furniture cavity.
 The outer edge of the door handle extends 72 mm from the furniture cavity.
 Necessary lateral gap between appliance door and furniture panel of min. 5 mm.
 Consider the overhang, incl. the door handle, when planning to open drawers next to the appliance.
 When planning a corner solution, pay attention to the 110° door opening angle.
 The main socket needs to be planned outside of the niche.
 The LAN port can be found at the back on the lower left side.
 Special accessories (order as spare part):
 Part No. 17002490 Descaling tablets.

Connection
 Energy efficiency class A at a range of energy efficiency classes from A+++ to D.
 Total connected load 3.1 KW.
 Connecting cable 1.5 m with plug.
 Plan a LAN cable.
 Power consumption standby/display on 0.8 W.
 Power consumption standby/display off 0.5 W.
 Power consumption standby/network 1.8 W.
 Time auto-standby/display on 20 min.
 Time auto-standby/display off 20 min.#
 Time auto-standby/network 20 min.
 Please check the user manual for how to switch off the WiFi module.

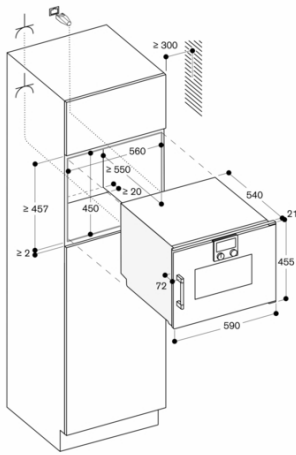
Color Variants
BSP251131
Full glass door in Gaggenau Silver
Width 60 cm
BSP251101
Full glass door in Gaggenau Anthracite
Width 60 cm
BSP251111
Full glass door in Gaggenau Metallic
Width 60 cm

Included accessories
 1 x grid.
 1 x pluggable meat probe.
 1 x STS tray.
 punched.
 40 mm deep.
 1 x STS tray.
 unpunched.

Optional accessories
BA010301
 Triple telescopic pull-out rack
BA020360
BA020370
BA020380
BA020390
 Insert, non-stick, perforated, 40 mm deep, 5 l.
BA046117
 Glass tray
GN010330
GN114130
 Gastronorm insert, stainless steel, GN 1/3
GN114230
 Gastronorm insert, stainless steel, GN 2/3
GN124130
 Gastronorm insert, stainless steel, GN 1/3
GN124230
 Gastronorm insert, stainless steel, GN 2/3
GN340230
 Gastronorm roaster in cast aluminium

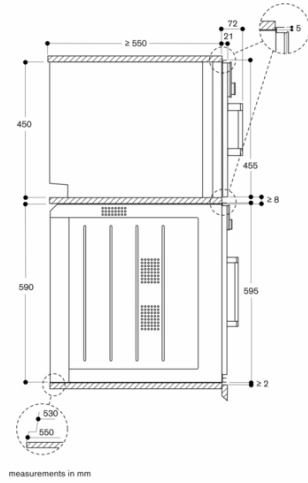
Product Variants
BSP250131
Combi-steam oven 200 series
Full glass door in Gaggenau Silver
Width 60 cm
controls at the top

BSP251131
Combi-steam oven 200 series
Full glass door in Gaggenau Silver
Width 60 cm
controls at the top
created on 2022-08-09
Page 2



Socket
measurements in mm

Side view of BSP 220/250 above BOP



measurements in mm