



BSP261111
Combi-steam oven 200 series
Full glass door in Gaggenau Metallic
Width 60 cm
controls at the top



Flush installation
 Fixed inlet and outlet water connection
 Large cavity
 LED light source
 External steam generation
 Steaming without pressure
 Hot air 30 °C to 230 °C can be combined with chosen humidity level of 0%, 30%, 60%, 80% or 100%
 Sous-vide cooking with accurate temperature regulation
 Full surface grill behind glass ceramic, combinable with circulated air up to 230 °C and steam
 Automatic programmes
 Core temperature probe with estimation of cooking time
 Hot air fan rotates in both directions for ideal heat distribution
 TFT touch display
 Panel-free appliance with surface control module
 Electronic temperature control from 30 °C to 230 °C
 50 litres net volume

Heating methods

Hot air + 100 % humidity.
 Hot air + 80 % humidity. Hot air + 60 % humidity. Hot air + 30 % humidity. Hot air + 0 % humidity. Low temperature cooking. Sous-vide cooking. Full surface grill level 1 + humidity. Full surface grill level 2 + humidity. Full surface grill + circulated air. Dough proofing. Defrosting. Regenerating.

Handling

Rotary knob and TFT touch display operation.
 Clear text display.
 Option to save individual recipes (incl. core temperature probe).
 Personalisation of automatic programmes.
 Information key with use indications.
 Side-opening door opens up to 110° angle.

Features

Full surface grill 2000 W behind glass ceramic.
 Steam removal.
 Three-point core temperature probe with automatic shut-off and estimation of cooking time.
 Automatic programmes.
 Actual temperature display.
 Timer functions: cooking time, cooking time end, timer, stopwatch, long-term timer (certified by Star-K).
 Automatic boiling point detection.
 LED light on the side.
 Hygienic stainless steel cooking interior.
 3 tray levels.
 Home network integration for digital services (Home Connect) either via cable connection LAN (recommended) or wireless via WiFi.
 The availability of the Home Connect functionality depends on the availability of the Home Connect Services in your country. Home Connect Services are not available in every country – for further information please check: www.home-connect.com

Safety

Child lock.

Characteristics

Color / Material Front

Construction type

Built-in

Door opening

Lateral

Required niche size for installation (HxWxD)

450-450 x 560-560 x 550

Dimensions

Dimensions of the packed product (HxWxD)

590 x 660 x 700

Control Panel Material

without panel

Door Material

Glass

Net weight

46.1

Approval certificates

Australia Standards, CCC, CE, China, China ROHS 20, Eurasian, G-Mark, Ukraine, VDE

Length of electrical supply cord

175

EAN code

4242006278090

Electrical connection rating

Fuse protection

16

Voltage

220-240

Frequency

50

Plug type

Gardy plug w/ earthing

Approval certificates

Australia Standards, CCC, CE, China, China ROHS 20, Eurasian, G-Mark, Ukraine, VDE

Number of cavities (2010/30/EC)

1

Usable volume (of cavity) - NEW (2010/30/EC)

50

Energy efficiency rating

A

Energy consumption per cycle conventional (2010/30/EC)

Energy consumption gas oven per cycle conventional (2010/30/EC)

Energy consumption per cycle forced air convection (2010/30/EC)

0.72

Energy consumption gas oven per cycle forced air convection (2010/30/EC)

Energy efficiency index (2010/30/EC)

94.7

Consumption and connection features

created on 2022-08-07

Page 1

Safety shut-off.

Cooled housing with temperature protection.

Cleaning

Cleaning aid.

Descaling programme for the steam generator.

Drying function.

Grease filter, dishwasher-safe.

Strainer filter, removable.

Planning notes

Door hinge not reversible.

No other electrical appliances should be installed above the BS.

At no point may the outlet hose be positioned higher than the bottom edge of the appliance. The outlet hose must also be at least 100 mm lower than the appliance outlet (see drawing "drain connection").

Inlet hose can be extended once.

The outlet hose must not be longer than a maximum of 5 m.

The water connection (1) for the inlet hose must always be accessible and not located directly behind the appliance.

The connection of the outlet hose to the siphon (2) must not be directly behind the appliance and should be accessible.

The descaling system GF 111 100 (3) may be installed when connecting the appliance if the water hardness exceeds 7° dH.

The door panel surface of the appliance extends 21 mm from the furniture cavity.

The outer edge of the door handle extends 72 mm from the furniture cavity.

Necessary lateral gap between appliance door and furniture panel of min. 5 mm.

Consider the overhang, incl. the door handle, when planning to open drawers next to the appliance.

When planning a corner solution, pay attention to the 110° door opening angle.

The main socket needs to be planned outside of the niche.

Special accessories (order as spare part):

Part No. 17002490 Descaling tablets.

Connection

Energy efficiency class A at a range of energy efficiency classes from A+++ to D.

Total connected load 3.1 KW.

Only cold water connection.

Inlet hose 3.0 m with connection pipe thread ISO228-G 3/4" (Ø 26.4 mm), extendable.

Outlet hose (Ø 25 mm) 3.0 m (HT-Hose).

Connecting cable 1.8 m with plug.

Plan a LAN cable.

Power consumption standby/display on 0.8 W.

Power consumption standby/display off 0.5 W.

Power consumption standby/network 1.8 W.

Time auto-standby/display on 20 min.

Time auto-standby/display off 20 min. #

Time auto-standby/network 20 min.

Please check the user manual for how to switch off the WiFi module.

Color Variants

BSP261111

Full glass door in Gaggenau Metallic

Width 60 cm

BSP261101

Full glass door in Gaggenau Anthracite

Width 60 cm

BSP261131

Full glass door in Gaggenau Silver

Width 60 cm

Included accessories

1 x outlet hose 3m.

1 x grid.

1 x pluggable meat probe.

1 x water inlet hose 3m.

1 x STS tray.

punched.

40 mm deep.

Optional accessories

BA010301

Triple telescopic pull-out rack

BA020360

BA020370

BA020380

BA020390

Insert, non-stick, perforated, 40 mm

deep, 5 l.

BA046117

Glass tray

GN010330

GN114130

Gastronorm insert, stainless steel, GN

1/3

GN114230

Gastronorm insert, stainless steel, GN

2/3

GN124130

Gastronorm insert, stainless steel, GN

1/3

GN124230

Gastronorm insert, stainless steel, GN

2/3

GN340230

Gastronorm roaster in cast aluminium

Product Variants

BSP260111

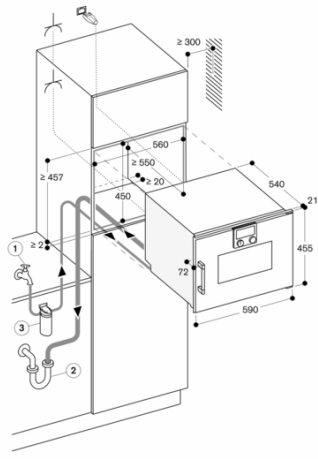
Combi-steam oven 200 series

Full glass door in Gaggenau Metallic

Width 60 cm

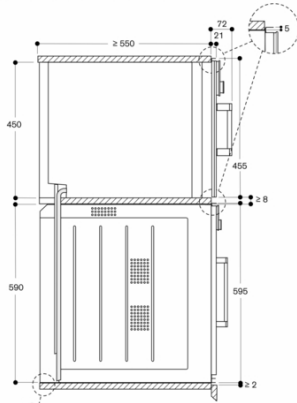
controls at the top

GAGGENAU



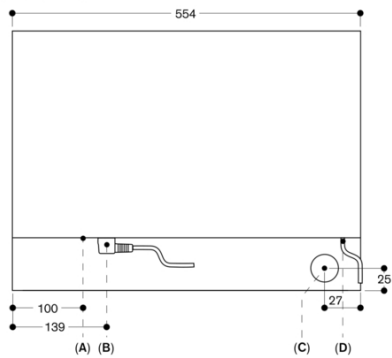
Socket
 measurements in mm

Side view of BSP 260/270 above BOP



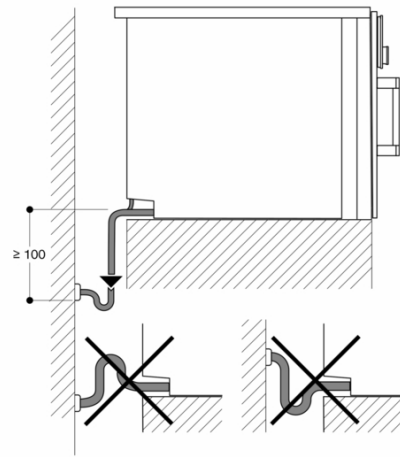
measurements in mm

View from rear



- A: LAN connection
- B: Electric terminal box
- C: Water outlet
- D: Cold water inlet

measurements in mm



measurements in mm