



BSP270131
Combi-steam oven 200 series
Full glass door in Gaggenau Silver
Width 60 cm
right-hinged
controls at the top



Flush installation
 Fixed inlet and outlet water connection
 Cleaning system, fully automatic
 Large cavity
 LED light source
 External steam generation
 Steaming without pressure
 Hot air 30 °C to 230 °C can be combined with chosen humidity level of 0%, 30%, 60%, 80% or 100%
 Sous-vide cooking with accurate temperature regulation
 Full surface grill behind glass ceramic, combinable with circulated air up to 230 °C and steam
 Automatic programmes
 Core temperature probe with estimation of cooking time
 Hot air fan rotates in both directions for ideal heat distribution
 TFT touch display
 Panel-free appliance with surface control module
 Electronic temperature control from 30 °C to 230 °C
 50 litres net volume

Heating methods

Hot air + 100 % humidity.
 Hot air + 80 % humidity. Hot air + 60 % humidity. Hot air + 30 % humidity. Hot air + 0 % humidity. Low temperature cooking. Sous-vide cooking. Full surface grill level 1 + humidity. Full surface grill level 2 + humidity. Full surface grill + circulated air. Dough proofing. Defrosting. Regenerating.

Handling

Rotary knob and TFT touch display operation.
 Clear text display.
 Option to save individual recipes (incl. core temperature probe).
 Personalisation of automatic programmes.
 Information key with use indications.
 Side-opening door opens up to 110° angle.

Features

Full surface grill 2000 W behind glass ceramic.
 Steam removal.
 Misting.
 Three-point core temperature probe with automatic shut-off and estimation of cooking time.
 Automatic programmes.
 Actual temperature display.
 Timer functions: cooking time, cooking time end, timer, stopwatch, long-term timer (certified by Star-K).
 Automatic boiling point detection.
 LED light on the side.
 Hygienic stainless steel cooking interior.
 3 tray levels.

Selected digital services (Home Connect)

Automatic programmes.
 Remote control and monitoring.
 Recipes.
 Home network integration for digital services (Home Connect) either via cable connection LAN (recommended) or wireless via WiFi.

Characteristics

Color / Material Front
Construction type
 Built-in
Door opening
 Lateral
Min. required niche size for installation (HxWxD)
 450-450 x 560-560 x 550
Dimensions
 455 x 590 x 540
Dimensions of the packed product (HxWxD)
 590 x 660 x 700
Control Panel Material
 without panel
Door Material
 Glass
Net weight
 47.6
Length of electrical supply cord
 175
EAN code
 4242006278045
Electrical connection rating
Fuse protection
 16
Voltage
 220-240
Frequency
 50
Plug type
 Gardy plug w/ earthing
Number of cavities (2010/30/EC)
 1
Usable volume (of cavity) - NEW (2010/30/EC)
 50
Energy efficiency rating
 A
Energy consumption per cycle conventional (2010/30/EC)
Energy consumption gas oven per cycle conventional (2010/30/EC)
Energy consumption per cycle forced air convection (2010/30/EC)
 0.72
Energy consumption gas oven per cycle forced air convection (2010/30/EC)
Energy efficiency index (2010/30/EC)
 94.7
Included accessories
 1 x outlet hose 3m, 1 x grid, 1 x pluggable meat probe, 1 x water inlet hose 3m, 1 x STS tray, punched, 40 mm deep, 1 x STS tray, unpunched, 40 mm deep, 4 x cleaning cartridge

Consumption and connection features

created on 2023-01-25
 Page 1

The availability of the Home Connect functionality depends on the availability of the Home Connect Services in your country. Home Connect Services are not available in every country – for further information please check: www.home-connect.com

Safety

Child lock.
 Safety shut-off.
 Cooled housing with temperature protection.

Cleaning

Cleaning programme, fully automatic.
 Descaling programme for the steam generator.
 Drying function.
 Automatic drying of the cavity at the end of the cooking process.
 Strainer filter, removable.
 Demo cleaning programme.

Planning notes

Door hinge not reversible.
 No other electrical appliances should be installed above the BS.
 At no point may the outlet hose be positioned higher than the bottom edge of the appliance. The outlet hose must also be at least 100 mm lower than the appliance outlet (see drawing "drain connection").
 Inlet hose can be extended once. The outlet hose must not be longer than a maximum of 5 m.
 The water connection (1) for the inlet hose must always be accessible and not located directly behind the appliance.
 The connection of the outlet hose to the siphon (2) must not be directly behind the appliance and should be accessible.
 The descaling system GF 111 100 (3) must be installed when connecting the appliance if the water hardness exceeds 7° dH.
 The door panel surface of the appliance extends 21 mm from the furniture cavity.
 The outer edge of the door handle extends 72 mm from the furniture cavity.
 Necessary lateral gap between appliance door and furniture panel of min. 5 mm.
 Consider the overhang, incl. the door handle, when planning to open drawers next to the appliance.
 When planning a corner solution, pay attention to the side-opening door and the minimum required distance to the wall.
 The main socket needs to be planned outside of the niche.
 Special accessories (order as spare part):
 Part No. 17002490 Descaling tablets.

Connection

Energy efficiency class A at a range of energy efficiency classes from A+++ to D.
 Total connected load 3.1 KW.
 Only cold water connection.
 Inlet hose 3.0 m with connection pipe thread ISO228-G 3/4" (Ø 26.4 mm), extendable.
 Outlet hose (Ø 25 mm) 3.0 m (HT-Hose).
 Connecting cable 1.8 m with plug.
 Plan a LAN cable.
 Power consumption standby/display on 0.8 W.
 Power consumption standby/display off 0.5 W.
 Power consumption standby/network 1.8 W.
 Time auto-standby/display on 20 min.
 Time auto-standby/display off 20 min.#
 Time auto-standby/network 20 min.
 Please check the user manual for how to switch off the WiFi module.

Color Variants

BSP270131
Full glass door in Gaggenau Silver
Width 60 cm
BSP270101
Full glass door in Gaggenau Anthracite
Width 60 cm
BSP270111
Full glass door in Gaggenau Metallic
Width 60 cm

Included accessories

1 x outlet hose 3m.
 1 x grid.
 1 x pluggable meat probe.
 1 x water inlet hose 3m.
 1 x STS tray.
 punched.
 40 mm deep.

Optional accessories

BA010301
Triple telescopic pull-out rack
BA020370
BA020390
Insert, non-stick, perforated, 40 mm deep, 5 l.
BA046117
Glass tray
CLS10040
Cleaning cartridges, set of 4
GN010330
GN114130
Gastronorm insert, stainless steel, GN 1/3
GN114230
Gastronorm insert, stainless steel, GN 2/3
GN124130
Gastronorm insert, stainless steel, GN 1/3
GN124230
Gastronorm insert, stainless steel, GN 2/3
GN340230
Gastronorm roaster in cast aluminium

Installation Accessories

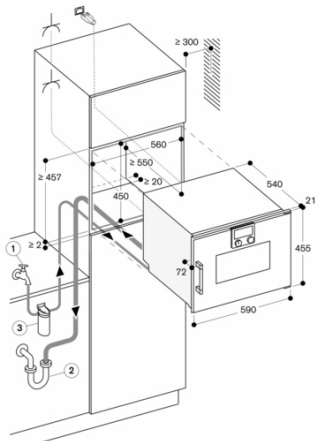
GF111100
Descaling and neutralising filter
GF121110
Filter cartridges
GZ010011
Aqua stop extension (2 m long)

Product Variants

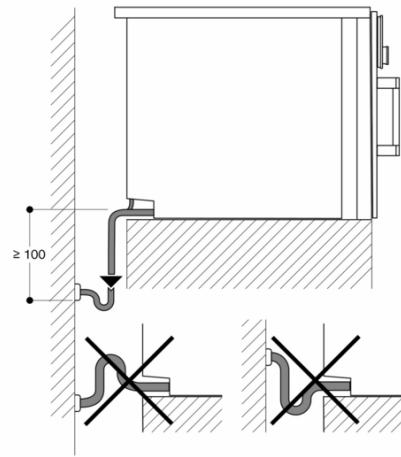
BSP271131
Combi-steam oven 200 series
Full glass door in Gaggenau Silver
Width 60 cm
left-hinged
controls at the top

GAGGENAU

BSP270131
 Combi-steam oven 200 series
 Full glass door in Gaggenau Silver
 Width 60 cm
 right-hinged
 controls at the top
 created on 2023-01-25
 Page 2

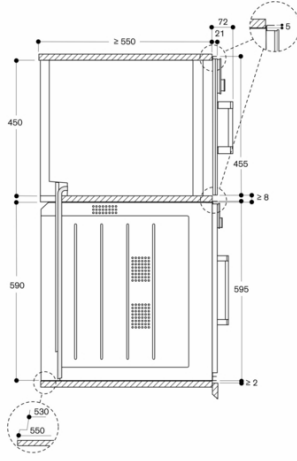


Socket
 measurements in mm



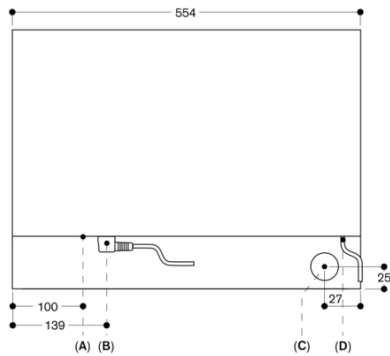
measurements in mm

Side view of BSP 260/270 above BOP



measurements in mm

View from rear



- A: LAN connection
- B: Electric terminal box
- C: Water outlet
- D: Cold water inlet

measurements in mm