



BSP271101
Combi-steam oven 200 series
Full glass door in Gaggenau Anthracite
Width 60 cm
left-hinged
controls at the top



Flush installation
 Fixed inlet and outlet water connection
 Cleaning system, fully automatic
 Large cavity
 LED light source
 External steam generation
 Steaming without pressure
 Hot air 30 °C to 230 °C can be combined with chosen humidity level of 0%, 30%, 60%, 80% or 100%
 Sous-vide cooking with accurate temperature regulation
 Full surface grill behind glass ceramic, combinable with circulated air up to 230 °C and steam
 Automatic programmes
 Core temperature probe with estimation of cooking time
 Hot air fan rotates in both directions for ideal heat distribution
 TFT touch display
 Panel-free appliance with surface control module
 Electronic temperature control from 30 °C to 230 °C
 50 litres net volume

Heating methods

Hot air + 100 % humidity.
 Hot air + 80 % humidity. Hot air + 60 % humidity. Hot air + 30 % humidity. Hot air + 0 % humidity. Low temperature cooking. Sous-vide cooking. Full surface grill level 1 + humidity. Full surface grill level 2 + humidity. Full surface grill + circulated air. Dough proofing. Defrosting. Regenerating.

Handling

Rotary knob and TFT touch display operation.
 Clear text display.
 Option to save individual recipes (incl. core temperature probe).
 Personalisation of automatic programmes.
 Information key with use indications.
 Side-opening door opens up to 110° angle.

Features

Full surface grill 2000 W behind glass ceramic.
 Steam removal.
 Misting.
 Three-point core temperature probe with automatic shut-off and estimation of cooking time.
 Automatic programmes.
 Actual temperature display.
 Timer functions: cooking time, cooking time end, timer, stopwatch, long-term timer (certified by Star-K).
 Automatic boiling point detection.
 LED light on the side.
 Hygienic stainless steel cooking interior.
 3 tray levels.

Selected digital services (Home Connect)

Automatic programmes.
 Remote control and monitoring.
 Recipes.
 Home network integration for digital services (Home Connect) either via cable connection LAN (recommended) or wireless via WiFi.

Characteristics

Color / Material Front
 Anthracite

Construction type
 Built-in

Door opening
 Lateral

Min. required niche size for installation (HxWxD)
 450-450 x 560-560 x 550

Dimensions
 455 x 590 x 540

Dimensions of the packed product (HxWxD)
 590 x 660 x 700

Control Panel Material
 without panel

Door Material
 Glass

Net weight
 47.6

Length of electrical supply cord
 175

EAN code
 4242006278014

Electrical connection rating
 Fuse protection

Voltage
 220-240

Frequency
 50

Plug type
 Gardy plug w/ earthing

Number of cavities (2010/30/EC)
 1

Usable volume (of cavity) - NEW (2010/30/EC)
 50

Energy efficiency rating
 A

Energy consumption per cycle conventional (2010/30/EC)

Energy consumption gas oven per cycle conventional (2010/30/EC)

Energy consumption per cycle forced air convection (2010/30/EC)
 0.72

Energy consumption gas oven per cycle forced air convection (2010/30/EC)

Energy efficiency index (2010/30/EC)
 94.7

Included accessories
 1 x outlet hose 3m, 1 x grid, 1 x pluggable meat probe, 1 x water inlet hose 3m, 1 x STS tray, punched, 40 mm deep, 1 x STS tray, unpunched, 40 mm deep, 4 x cleaning cartridge

Consumption and connection features

created on 2023-03-22
 Page 1

The availability of the Home Connect functionality depends on the availability of the Home Connect Services in your country. Home Connect Services are not available in every country – for further information please check: www.home-connect.com

Safety

Child lock.
 Safety shut-off.
 Cooled housing with temperature protection.

Cleaning

Cleaning programme, fully automatic.
 Descaling programme for the steam generator.
 Drying function.
 Automatic drying of the cavity at the end of the cooking process.
 Strainer filter, removable.
 Demo cleaning programme.

Planning notes

Door hinge not reversible.
 No other electrical appliances should be installed above the BS.
 At no point may the outlet hose be positioned higher than the bottom edge of the appliance. The outlet hose must also be at least 100 mm lower than the appliance outlet (see drawing "drain connection").
 Inlet hose can be extended once. The outlet hose must not be longer than a maximum of 5 m.
 The water connection (1) for the inlet hose must always be accessible and not located directly behind the appliance.
 The connection of the outlet hose to the siphon (2) must not be directly behind the appliance and should be accessible.
 The descaling system GF 111 100 (3) may be installed when connecting the appliance if the water hardness exceeds 7° dH.
 The door panel surface of the appliance extends 21 mm from the furniture cavity.
 The outer edge of the door handle extends 72 mm from the furniture cavity.
 Necessary lateral gap between appliance door and furniture panel of min. 5 mm.
 Consider the overhang, incl. the door handle, when planning to open drawers next to the appliance.
 When planning a corner solution, pay attention to the side-opening door and the minimum required distance to the wall.
 The main socket needs to be planned outside of the niche.
 Special accessories (order as spare part):
 Part No. 17002490 Descaling tablets.

Connection

Energy efficiency class A at a range of energy efficiency classes from A+++ to D.
 Total connected load 3.1 KW.
 Only cold water connection.
 Inlet hose 3.0 m with connection pipe thread ISO228-G 3/4" (Ø 26.4 mm), extendable.
 Outlet hose (Ø 25 mm) 3.0 m (HT-Hose).
 Connecting cable 1.8 m with plug.
 Plan a LAN cable.
 Power consumption standby/display on 0.8 W.
 Power consumption standby/display off 0.5 W.
 Power consumption standby/network 1.8 W.
 Time auto-standby/display on 20 min.
 Time auto-standby/display off 20 min.#
 Time auto-standby/network 20 min.
 Please check the user manual for how to switch off the WiFi module.

Color Variants

BSP271101
 Full glass door in Gaggenau Anthracite
 Width 60 cm

BSP271111
 Full glass door in Gaggenau Metallic
 Width 60 cm

BSP271131
 Full glass door in Gaggenau Silver
 Width 60 cm

Included accessories

1 x outlet hose 3m.
 1 x grid.
 1 x pluggable meat probe.
 1 x water inlet hose 3m.
 1 x STS tray.
 punched.
 40 mm deep.

Optional accessories

BA010301
 Triple telescopic pull-out rack

BA020370

BA020390
 Insert, non-stick, perforated, 40 mm deep, 5 l.

BA046117
 Glass tray

CLS10040
 Cleaning cartridges, set of 4

GN010330

GN114130
 Gastronorm insert, stainless steel, GN 1/3

GN114230
 Gastronorm insert, stainless steel, GN 2/3

GN124130
 Gastronorm insert, stainless steel, GN 1/3

GN124230
 Gastronorm insert, stainless steel, GN 2/3

GN340230
 Gastronorm roaster in cast aluminium

Installation Accessories

GF111100
 Descaling and neutralising filter

GF121110
 Filter cartridges

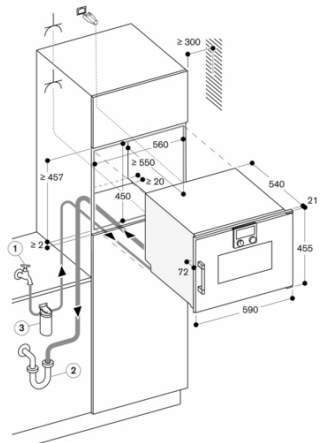
GZ010011
 Aqua stop extension (2 m long)

Product Variants

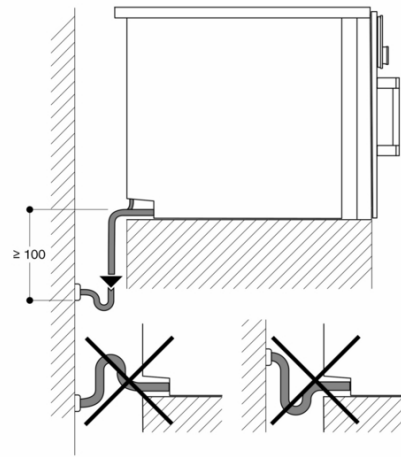
BSP270101
 Combi-steam oven 200 series
 Full glass door in Gaggenau Anthracite
 Width 60 cm
 right-hinged
 controls at the top

GAGGENAU

BSP271101
 Combi-steam oven 200 series
 Full glass door in Gaggenau Anthracite
 Width 60 cm
 left-hinged
 controls at the top
 created on 2023-03-22
 Page 2

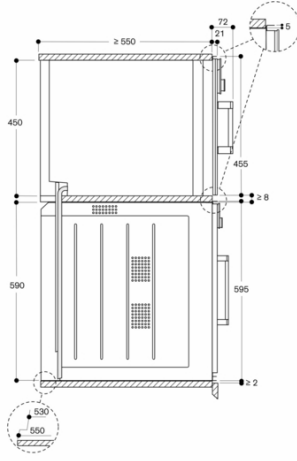


Socket
 measurements in mm



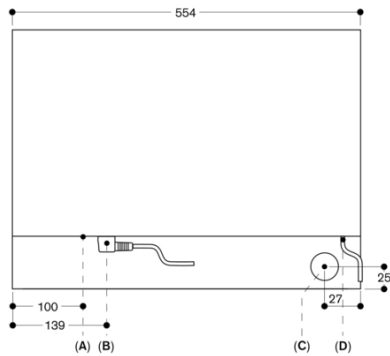
measurements in mm

Side view of BSP 260/270 above BOP



measurements in mm

View from rear



- A: LAN connection
- B: Electric terminal box
- C: Water outlet
- D: Cold water inlet

measurements in mm