



CE291111

GP900003:

Frying sensor pan Ø 21 cm

Glass ceramic cooktop 200 series
90 cm

CE291111

- Sturdy stainless steel frame
- Frying sensor function
- Three-ring cooking zone up to 27 cm
- Large roasting zone
- Sensor control with direct selection of output level

- Sturdy stainless steel frame

Frying sensor function

Three-ring cooking zone up to 27 cm

Large roasting zone

Sensor control with direct selection of output level

Cooking zones

2 Super-Quick cooking zones ø 18 cm (1800 W); together they convert to 18 x 41.5 cm (4400 W) roasting zone.

1 Super-Quick cooking zone ø 12 cm (750 W), converts to ø 21 cm (2100 W, with booster 2600 W) cooking zone.

1 Super-Quick cooking zone ø 14.5 cm (1050 W), converts to ø 21 cm (2200 W) or ø 27 cm (3080 W) cooking zone.

1 Super-Quick cooking zone ø 14.5 cm (1200 W, with booster 1600 W).

Handling

Sensor control with direct selection of output level.

Cooking zone marking.

Electronic power control in Variable 17-stage power settings for each zone.

Features

Frying sensor function for ø 21 cm cooking zone.

Booster function.

Cooking timer for up to 99 minutes.

Short-term timer.

Options menu.

Safety

Main switch.

Operation indicator.

2 stage Hh residual heat indicator for each zone

Child lock.

Safety shut-off.

Planning notes

Immersion depth 49 mm, depth at plug socket 50 mm.

Under the plug socket, a 10 mm clearance must be observed from side panels or from intermediate shelf.

The cooktop must be freely accessible from underneath to be able to detach the cooktop's base in a downward direction.

Installation possible in a 60 cm wide lower cabinet.

Appliance must be fixed from underneath.

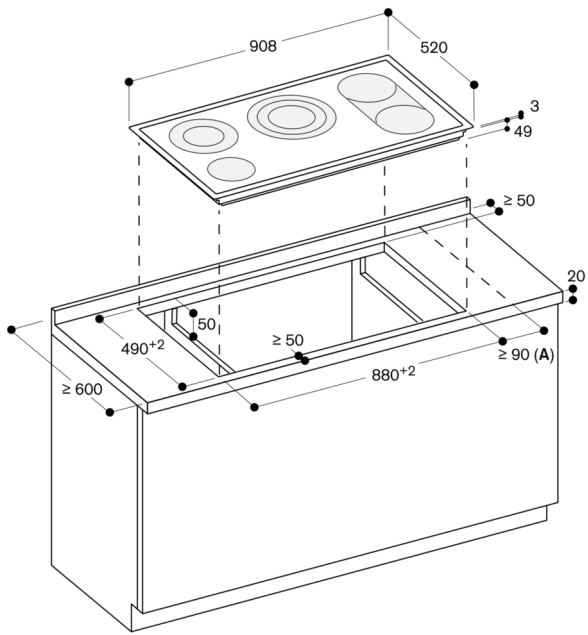
Cooktop clamping range: 20 - 50 mm.

Appliance weight: approx. 13.

Connection

Total connected load 11.0 KW.

Plan a connection cable.



A: Minimum distance from the hob cut-out to the wall.

measurements in mm