



CG291210

Optional accessories

WP400001:
Wok pan

installation accessories

Gas cooktop 200 series
90 cm, Natural gas 20 mbar
CG291210

- Mechanical power level regulation for 9 power levels, with exact setting and reproduction of flame size
 - Control panel for comfortable and secure operation
 - Precise and reproducible flame size
 - Mechanical power level regulation for 9 power levels, with exact setting and reproduction of flame size
- Multi-ring burner with 5 KW

Cooking zones

1 two-ring wok burner (300 W – 5000 W).
1 two-ring wok burner (300 W – 5000 W).
2 standard burners (350 W – 1750 W), suitable for pots up to max. ø 20 cm.
1 economy burner (330 W – 1000 W), suitable for pots up to max. ø 14 cm.

Handling

Control knobs with cooking zone and output level markings for 9 levels.
One-handed operation.
Electric ignition.

Features

Three-part cast pan support with continuous pot surface.
Enamelled burner cover.

Safety

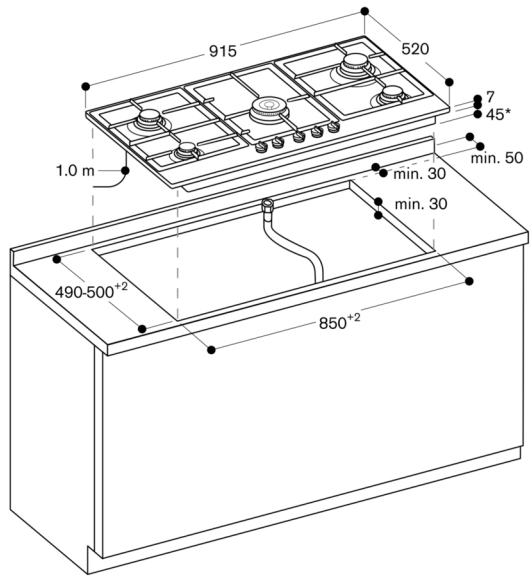
Thermoelectric safety pilot.

Planning notes

The cooktop can be surface-mounted.
Special nozzles can be ordered as spare parts.
Installation in a 85 cm niche or a 88 cm niche with the included spacers.
Air intake from above.
Intermediate shelf is required.
Appliance must be fixed from underneath.
A minimum clearance of at least 150 mm from adjacent heat-sensitive furniture or contact surfaces must be observed or thermal insulation fitted.
With a total connected load of more than 11 kW local regulations concerning room ventilation, room size and combination of extraction or recirculation hoods must be observed.
The minimum distance between the cooktop surface and a cabinet above, out of combustible material, needs to be 65 cm.
The minimum distance to a ventilation above is shown at the planning hints for the individual ventilation product.
Appliance weight: approx. 15.

Connection

Total connected load gas 12.5 KW.
Connecting cable 1.00 m without plug.



* 61 mm in the area of the gas connection at the back right