



CI272100  
Frameless  
Width 70 cm

Frameless for flush installation  
Flex function for combining the rectangular cooking areas  
Free positioning of cookware inside combined cooking areas  
Frying sensor function for temperature control in pans  
Twist-Pad control with removable magnetic knob  
Easy control of all functions with two color displays

#### Cooking zones

2 flex induction cooking areas 19x23 cm (2200 W, with booster 3700 W), linked together 38x23 cm (3300 W, with booster 3700 W).  
2 flex induction cooking areas 19x23 cm (2200 W, with booster 3700 W), linked together 38x23 cm (3300 W, with booster 3700 W).

#### Handling

Twist-Pad control with removable magnetic knob.  
User friendly control with two color display (white / orange).  
Cooking zone, and cooking area marking.  
Electronic power control in 17 output levels.

#### Features

Flex function for rectangular cooking areas.  
Frying sensor function.  
Booster function for pots.  
Booster function for pans.  
Keep warm function.  
Stopwatch.  
Cooking timer for up to 99 minutes.  
Short-term timer.  
Options menu.  
Power management.

#### Safety

Main switch.  
Operation indicator.  
Pot detection.  
2 stage Hh residual heat indicator for each zone  
Child lock.  
Safety shut-off.

#### Planning notes

Operates with magnetic (induction) iron pots and pans only. For an optimal heat distribution, the use of sandwich bottom cookware is recommended. The wok pan WP 400 001 cannot be used with this appliance. Immersion depth 56 mm. Intermediate shelf is recommended. Appliance must be fixed from underneath.  
Cooktop clamping range: 20 - 40 mm.  
Appliance weight: approx. 16 kg.

#### Connection

Total connected load 7.4 kW.  
Connecting cable 1.5 m without plug.

#### Characteristics

Product name/family  
Cooking zone ceramic  
Construction type  
Built-in  
Energy input  
Electric  
Total number of positions that can be used at the same time  
4  
Type of control setting devices  
Required niche size for installation (HxWxD)  
56 x 672-689 x 500-516  
Width of the product (mm)  
684  
Dimensions of the product (mm)  
56 x 684 x 512  
Dimensions of the packed product (HxWxD) (mm)  
126 x 953 x 608  
Net weight (kg)  
15.830  
Gross weight (kg)  
17.4  
Residual heat indicator  
Separate  
Location of control panel  
Hob front  
Type of external control possibility  
Basic surface material  
Ceramic  
Color of surface  
Black  
Color of frame  
Approval certificates  
AENOR, CE  
Length of electrical supply cord (cm)  
150  
EAN code  
4242006248949

#### Consumption and connection features

Electrical connection rating (W)  
7400  
Gas connection rating (W)  
Current (A)  
Voltage (V)  
220-240  
Frequency (Hz)  
60; 50

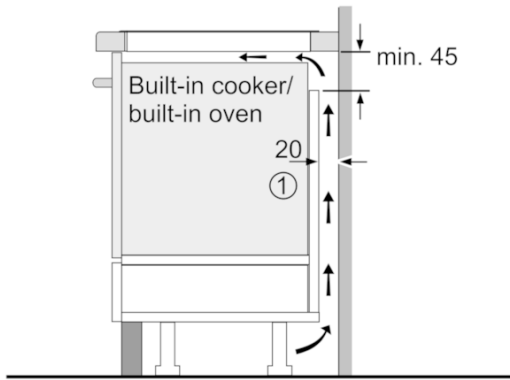
created on 2020-02-20  
Page 1

#### Color Variants

CI272100  
Width 70 cm

#### Optional accessories

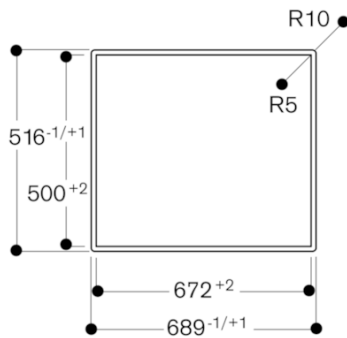
CA060300  
GP900001  
Stainless steel frying sensor pan  
GP900002  
Stainless steel frying sensor pan  
GP900003  
Stainless steel frying sensor pan



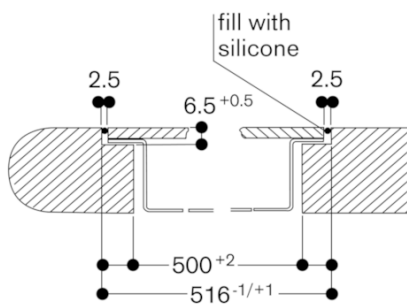
① Ventilation gap must be present

All measurements in mm

View from above



Cross-section



Longitudinal section

