



CI282102
Flex induction cooktop 200 series
Frameless
Width 80 cm

Frameless for flush installation
Flex function for combining the rectangular cooking areas
Free positioning of cookware inside combined cooking areas with automatic extension up to 30 cm width
Professional cooking function for splitting the cooktop into 3 predefined heat areas
Frying sensor function for temperature control in pans
Twist-Pad control with removable magnetic knob
Easy control of all functions with two color displays

Cooking zones

2 flex induction cooking areas 23x20 cm (2200 W, with booster 3700 W), linked together 23x40 cm (3300 W, with booster 3700 W), with automatic extension up to 30x30 cm (3300 W, with booster 3700 W).
2 flex induction cooking areas 23x20 cm (2200 W, with booster 3700 W), linked together 23x40 cm (3300 W, with booster 3700 W), with automatic extension up to 30x30 cm (3300 W, with booster 3700 W).

Handling

Twist-Pad control with removable magnetic knob.
User friendly control with two color display (white / orange).
Cooking zone, and cooking area marking.
Electronic power control in 17 output levels.

Features

Flex function for rectangular cooking areas.
Professional cooking function.
Frying sensor function.
Booster function for pots.
Booster function for pans.
Keep warm function.
Stopwatch.
Cooking timer for up to 99 minutes.
Short-term timer.
Options menu.
Power management.
Cooktop-based ventilation control (with suitable hood).
Integrated WiFi module for digital services (Home Connect).
The availability of the Home Connect functionality depends on the availability of the Home Connect Services in your country. Home Connect Services are not available in every country – for further information please check: www.home-connect.com

Safety

Main switch.
Operation indicator.
Pot detection.
2 stage Hh residual heat indicator for each zone
Child lock.
Safety shut-off.

Planning notes

Installation is possible in worktops made of stone, synthetics or solid wood. Heat resistance and watertight sealing of the cut edges must be observed. Concerning other materials please consult the worktop manufacturer.

Characteristics

Product name/family
Cooking zone ceramic

Construction type
Built-in

Energy input
Electric

Total number of positions that can be used at the same time
4

Type of control setting devices
Required niche size for installation (HxWxD)

Width of the appliance
793

Dimensions
56 x 793 x 513

Dimensions of the packed product (HxWxD)
130 x 950 x 600

Net weight
17.7

Gross weight
19.2

Residual heat indicator
Separate

Location of control panel
Hob front

Type of external control possibility

Basic surface material
Ceramic

Color of surface
Black

Color of frame

Approval certificates
AENOR, CE

Length of electrical supply cord
150

EAN code
4242006291532

Electrical connection rating
7400

Gas connection rating

Fuse protection

Voltage
220-240

Frequency
50-60

Consumption and connection features

created on 2022-08-03
Page 1

Operates with magnetic (induction) iron pots and pans only. For an optimal heat distribution, the use of sandwich bottom cookware is recommended. The wok pan WP 400 001 cannot be used with this appliance.
Appliance must be fixed from underneath.
Appliance weight: approx. 18.

Connection

Total connected load 7.4 KW.
Connecting cable 1.5 m without plug.
Power consumption standby/display off 0.5 W.
Power consumption standby/network 2 W.
Please check the user manual for how to switch off the WiFi module.

Color Variants

CI282102
Frameless
Width 80 cm

Optional accessories

CA051300
Teppan Yaki plate made of multi ply material

CA052300
Griddle plate in cast aluminium

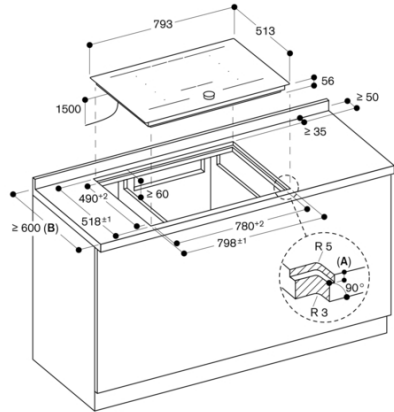
CA230100
Black magnetic knob for induction cooktop 200 series

GP900001
Stainless steel frying sensor pan

GP900002
Stainless steel frying sensor pan

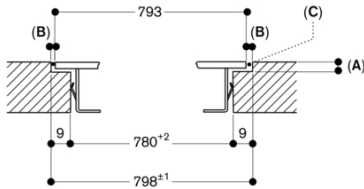
GP900003
Stainless steel frying sensor pan

GP900004
Stainless steel frying sensor pan



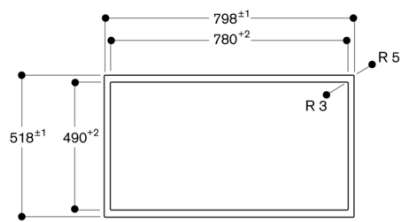
A: 6.5^{+0.5}
B: Please check the installation manual if the worktop depth is less than 600 mm.
 measurements in mm

Longitudinal section



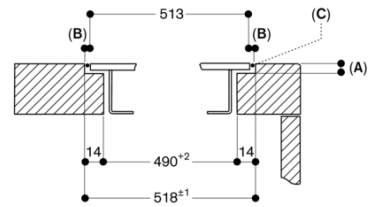
A: 6.5^{+0.5}
B: 2.5
C: Fill with silicone
 measurements in mm

View from above



measurements in mm

Cross-section



A: 6.5^{+0.5}
B: 2.5
C: Fill with silicone
 measurements in mm