



CI290110
Stainless steel frame
Width 90 cm

Sturdy stainless steel frame
Flex function for combining the rectangular cooking areas
Free positioning of cookware inside combined cooking areas
Professional cooking function for splitting the cooktop into 3 predefined heat areas
Frying sensor function for temperature control in pans
Suitable for 60 cm deep worktops in combination with AL 400 table ventilation
Twist-Pad control with removable magnetic knob
Easy control of all functions with two color displays

Cooking zones

2 flex induction cooking areas 19x21 cm (2200 W, with booster 3700 W), linked together 38x21 cm (3300 W, with booster 3700 W).
1 induction cooking zone ø 28 cm (2400 W, with booster 3700 W).

Handling

Twist-Pad control with removable magnetic knob.
User friendly control with two color display (white / orange).
Cooking zone, and cooking area marking.
Electronic power control in 17 output levels.

Features

Flex function for rectangular cooking areas.
Professional cooking function.
Frying sensor function.
Booster function for pots.
Booster function for pans.
Keep warm function.
Stopwatch.
Cooking timer for up to 99 minutes.
Short-term timer.
Options menu.
Power management.

Safety

Main switch.
Operation indicator.
Pot detection.
2 stage Hh residual heat indicator for each zone
Child lock.
Safety shut-off.

Planning notes

Operates with magnetic (induction) iron pots and pans only. For an optimal heat distribution, the use of sandwich bottom cookware is recommended. The wok pan WP 400 001 cannot be used with this appliance.
Immersion depth 55 mm.
Intermediate shelf is recommended.
Appliance must be fixed from underneath.
Cooktop clamping range: 20 - 40 mm.
Appliance weight: approx. 15 kg.

Connection

Total connected load 7.4 kW.
Connecting cable 1.5 m without plug.

Characteristics

Product name/family
Cooking zone ceramic

Construction type
Built-in

Energy input
Electric

Total number of positions that can be used at the same time
3

Type of control setting devices
Required niche size for installation (HxWxD)
55 x 880-880 x 330-330

Width of the product (mm)
908

Dimensions of the product (mm)
55 x 908 x 360

Dimensions of the packed product (HxWxD) (mm)
126 x 1031 x 472

Net weight (kg)
14.575

Gross weight (kg)
15.7

Residual heat indicator
Separate

Location of control panel
Hob front

Type of external control possibility
Basic surface material
Ceramic

Color of surface
Black, Stainless steel

Color of frame
Stainless steel

Approval certificates
AENOR, CE

Length of electrical supply cord (cm)
150

EAN code
4242006248970

Consumption and connection features

Electrical connection rating (W)
7400

Gas connection rating (W)

Current (A)

Voltage (V)
220-240

Frequency (Hz)
60; 50

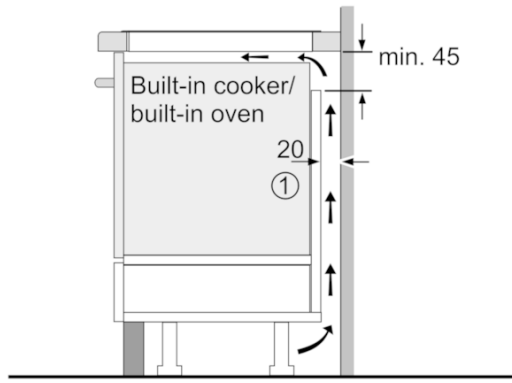
created on 2020-02-19
Page 1

Color Variants

CI290110
Width 90 cm

Optional accessories

CA060300
GP900001
Stainless steel frying sensor pan
GP900002
Stainless steel frying sensor pan
GP900003
Stainless steel frying sensor pan



①
Ventilation gap must
be present

All measurements in mm