



CM450112

fully automatic espresso machine 400 series
60 x 45 cm, Stainless steel-backed full glass
door, removable water tank

CM450112

- 12 different beverage types
- Save up to 8 individualised beverages
- Two cup brewing simultaneously
- Water, bean and milk levels
- Automatic steam cleaning of the milk system after every beverage

- Handleless door / automatic door opening / door opening via voice assistant possible

Continuous flow heater means no waiting time and constant brewing temperature

Aroma brewing technology for a full aroma

Single portion cleaning

TFT touch display

Panel-free appliance with surface control module

One-touch operation

Personalisation function

Seven light settings

Electronic fill level control for milk, water and coffee for a perfect result

Type of beverage

Ristretto / 2 x Ristretto.

Espresso / 2 x Espresso. Espresso Macchiato / 2 x Espresso Macchiato. Coffee / 2 x Coffee.

Americano / 2 xAmericano. Caffe Latte / 2 x Caffe Latte. Latte Macchiato / 2 x Latte

Macchiato. Cappuccino / 2 x Cappuccino. Flat White / 2 x Flat White. Milk froth / 2 x Milk froth.

Warm milk / 2 x Warm milk. Hot water / 2 x Hot water.

Handling

Automatic door opening.

Rotary knob and TFT touch display operation.

Clear text display.

Personalisation function, up to 8 beverages can be personalised and memorised.

4 beverage size settings, volume can be individually adjusted to match the size of the cup.

8 coffee strength levels from very mild to extra strong.

Coffee: 3 levels.

Hot water: 10 grades.

4 coffee-milk ratio levels.

Adjustable grinding level.

Height-adjustable coffee dispenser 7 cm to 15 cm.

Easy access to water tank, milk and coffee bean container behind the door.

Features

Maintenance-free grinding unit with ceramic discs.

Separate drawer for second ground coffee type.

Water pump with 19 bar pressure.

Double grinding and brewing cycles for extra intensity for one beverage.

Double grinding and brewing cycles for two beverages.

Dispenser with integrated milk system.

Insulated stainless steel milk container for up to 0.5 litres.

Integrated lightning with LEDs.

Removable bean container with aroma protecting lid for 500 g allows for an effortless exchange of different types of coffee beans.

Automatic adjustment of ground coffee quantity.

Removable 2.4 litre water tank.

Electronic water filter exchange indicator.

Electronic fill level control for drip tray and container for coffee dregs.

Hint: for energy-saving, the appliance switches to standby mode automatically after about 30 minutes. This timespan can be changed in the basic settings.

Selected digital services (Gaggeneau Home Connect)

Coffee World: extended choice of coffee specialties from all over the world.

Remote control and monitoring.

Home network integration for digital services (Home Connect) either via cable connection LAN (recommended) or wireless via WiFi.

The availability of the Home Connect functionality depends on the availability of the Home Connect Services in your country. Home Connect Services are not available in every country – for further information please check: www.home-connect.com

Safety

Child lock.

Cleaning

Fully automatic rinse programme when machine is turned on/off.

Automatic steam cleaning of the milk system after every beverage.

Automatic cleaning and descaling programme.

Emptying programme to prepare the appliance for holiday or transportation.

Empty-grinding function to remove coffee residues from the system when switching bean types.

Removable brewing unit.

Coffee dregs container and drip tray dishwasher-safe.

Milk frother dishwasher-safe.

Planning notes

Door hinge not reversible.

Left-hinged

The façade of the appliance extends 47 mm from the furniture cavity.

When installing in a corner a side clearance is required.

Door opening angle appr. 110° (delivery status) - mounting distance to the wall has to be at least 350 mm.

Door opening angle appr. 155° - mounting distance to the wall has to be at least 650 mm.

Door opening angle appr. 92° - mounting distance to the wall has to be at least 100 mm (spare part No. 00636455).

Installation directly above 14 cm high WS in 59 cm standardised niche.

The LAN port can be found at the back on the lower right side.

Special accessories (order as spare parts):

CM450112

Part No. 17000705 Water filter Part No.
00311819 Descaling tablets Part No. 00311769
Cleaning tablets Part No. 00636455 Door hinge
restrictor (92° opening angle) Part No.
11015223 Bean container with lid

Connection

Total connected load Total connected load 1.6
KW.

Connection cable 1.7 m, pluggable.

Plan a LAN cable.

Power consumption standby/display off 0.5 W.

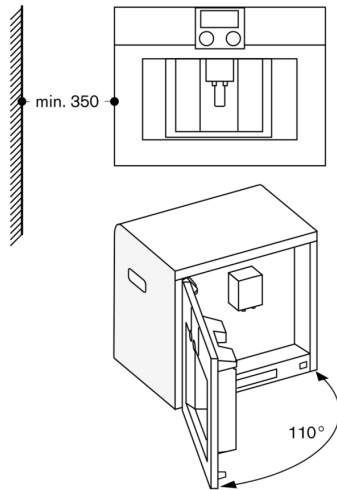
Power consumption standby/network 2 W.

Time auto-standby/display off 30 min.#

Time auto-standby/network 30 min.

Please check the user manual for how to switch
off the WiFi module.

Left corner installation



If using the 92° door hinge restrictor (spare part no. 00636455), the minimum distance from the wall is only 100 mm.

