



CM470101

Optional accessories

Installation Accessories

Fully automatic espresso machine 400 series
60 x 45 cm, Anthracite
CM470101

- 12 different beverage types
- Save up to 8 individualised beverages
- Two cup brewing simultaneously
- Water, bean and milk levels
- Handleless door / automatic door opening / door opening via voice assistant possible

Fixed inlet and outlet water connection
 Continuous flow heater means no waiting time and constant brewing temperature
 Aroma brewing technology for a full aroma
 Single portion cleaning
 TFT touch display
 Panel-free appliance with surface control module
 One-touch operation
 Personalisation function
 Seven light settings
 Electronic fill level control for milk, water and coffee to ensure a perfect result

Type of beverage

Ristretto / 2 x Ristretto.
 Espresso / 2 x Espresso. Espresso Macchiato / 2 x Espresso Macchiato. Coffee / 2 x Coffee.
 Americano / 2 x Americano. Caffè Latte / 2 x Caffè Latte. Latte Macchiato / 2 x Latte Macchiato. Cappuccino / 2 x Cappuccino. Flat White / 2 x Flat White. Milk froth / 2 x Milk froth.
 Warm milk / 2 x Warm milk. Hot water / 2 x Hot water.

Handling

Automatic door opening.
 Rotary knob and TFT touch display operation.
 Personalisation function, up to 8 beverages can be personalised and memorised.
 4 beverage size settings, volume can be individually adjusted to match the size of the cup.
 8 coffee strength levels from very mild to extra strong.
 Coffee: 3 levels.
 Hot water: 10 grades.
 4 coffee-milk ratio levels.
 Adjustable grinding level.
 Height-adjustable coffee dispenser 7 cm to 15 cm.
 Easy access to water tank, milk and coffee bean container behind the door.

Features

Maintenance-free grinding unit with ceramic discs.
 Separate drawer for second ground coffee type.
 Water pump with 19 bar pressure.
 Double grinding and brewing cycles for extra intensity for one beverage.
 Double grinding and brewing cycles for two beverages.
 Dispenser with integrated milk system.
 Insulated stainless steel milk container for up to 0.5 litres.
 Integrated lightning with LEDs.
 Removable bean container with aroma protecting lid for 500 g allows for an effortless exchange of different types of coffee beans.
 Automatic adjustment of ground coffee quantity.
 Removable 2.4 litre water tank.

Electronic water filter exchange indicator.
 Fresh water-function to refill the water tank with fresh water.
 Electronic fill level control for drip tray and container for coffee dregs.

Safety

Child lock.

Cleaning

Fully automatic rinse programme when machine is turned on/off.
 Automatic steam cleaning of the milk system after every beverage.
 Automatic cleaning and descaling programme.
 Emptying programme to prepare the appliance for holiday or transportation.
 Empty-grinding function to remove coffee residues from the system when switching bean types.
 Removable brewing unit.
 Coffee dregs container and drip tray dishwasher-safe.
 Milk frother dishwasher-safe.

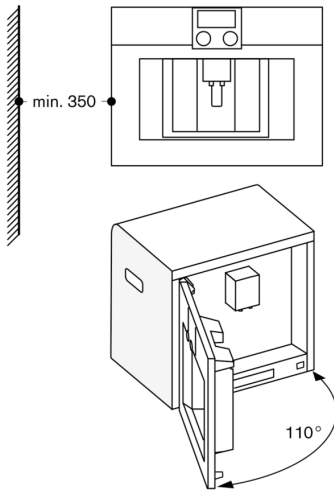
Planning notes

Left-hinged
 The façade of the appliance extends 47 mm from the furniture cavity.
 When installing in a corner a side clearance is required.
 Door opening angle appr. 110° (delivery status) - mounting distance to the wall has to be at least 350 mm.
 Door opening angle appr. 155° - mounting distance to the wall has to be at least 650 mm.
 Door opening angle appr. 92° - mounting distance to the wall has to be at least 100 mm (spare part No. 00636455).
 Installation directly above 14 cm high WS in 59 cm standardised niche.
 At no point may the outlet hose be positioned higher than the bottom edge of the appliance. The outlet hose must also be at least 150 mm lower than the appliance outlet (see drawing "drainage connection").
 If the appliance is placed too far from the main siphon, the drain system has to be adjusted on-site (building installation).
 The water connection (1) for the inlet hose must always be accessible and not located directly behind the appliance.
 The connection of the outlet hose to the siphon (2) must not be directly behind the appliance and should be accessible.
 Special accessories (order as spare parts):
 Part No. 17000705 Water filter Part No. 00311819 Descaling tablets Part No. 00636455 Door hinge restrictor (92° opening angle) Part No. 11015223 Bean container with lid

Connection

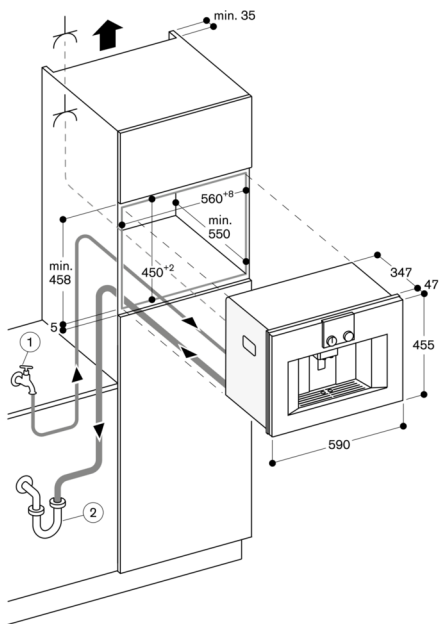
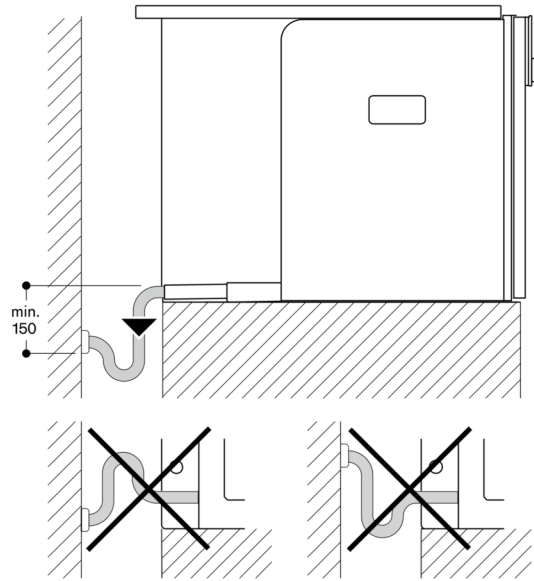
Total connected load Total connected load 1.6 KW.
 Only cold water connection.
 Inlet hose 165 cm with 3/4 " (26.4 mm) connection, extendable.
 Outlet hose (ø 18 mm) 170 cm (HT-Hose).

Left corner installation

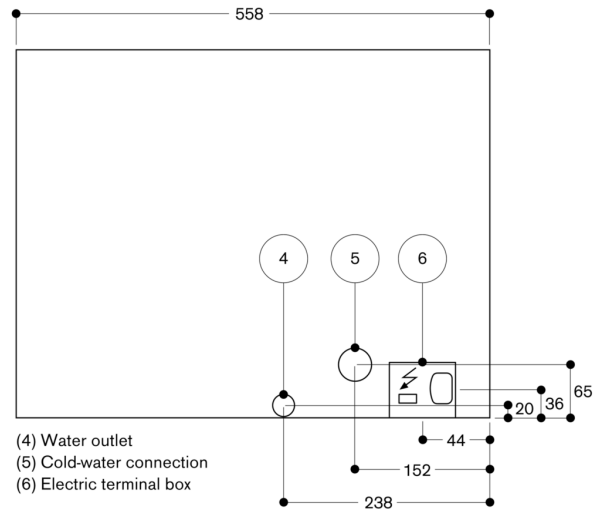


If using the 92° door hinge restrictor (spare part no. 00636455), the minimum distance from the wall is only 100 mm.

Drainage connection



View from rear



- (4) Water outlet
- (5) Cold-water connection
- (6) Electric terminal box