



CMP250132

Optional accessories

Installation accessories

fully automatic coffee machine 200 series  
60 x 45 cm, Silver, removable water tank  
**CMP250132**

- 12 different beverage types
- Save up to 8 individualised beverages
- Two cup brewing simultaneously
- Water, bean and milk levels
- Flush installation with handle
- Handleless door / cushioned door closing system

Continuous flow heater means no waiting time and constant brewing temperature  
Aroma brewing technology for a full aroma  
Single portion cleaning  
TFT touch display  
Panel-free appliance with surface control module  
One-touch operation  
Personalisation function  
Seven light settings  
Electronic fill level control for milk, water and coffee for a perfect result

**Type of beverage**

Ristretto / 2 x Ristretto.  
Espresso / 2 x Espresso. Espresso Macchiato / 2 x Espresso Macchiato. Coffee / 2 x Coffee.  
Americano / 2 x Americano. Caffè Latte / 2 x Caffè Latte. Latte Macchiato / 2 x Latte Macchiato. Cappuccino / 2 x Cappuccino. Flat White / 2 x Flat White. Milk froth / 2 x Milk froth.  
Warm milk / 2 x Warm milk. Hot water / 2 x Hot water.

**Handling**

Door with cushioned door closing system.  
Rotary knob and TFT touch display operation.  
Clear text display.  
Personalisation function, up to 8 beverages can be personalised and memorised.  
4 beverage size settings, volume can be individually adjusted to match the size of the cup.  
8 coffee strength levels from very mild to extra strong.  
Coffee: 3 levels.  
Hot water: 10 grades.  
4 coffee-milk ratio levels.  
Adjustable grinding level.  
Height-adjustable coffee dispenser 7 cm to 15 cm.  
Easy access to water tank, milk and coffee bean container behind the door.

**Features**

Maintenance-free grinding unit with ceramic discs.  
Separate drawer for second ground coffee type.  
Water pump with 19 bar pressure.  
Double grinding and brewing cycles for extra intensity for one beverage.  
Double grinding and brewing cycles for two beverages.  
Dispenser with integrated milk system.  
Insulated stainless steel milk container for up to 0.5 litres.  
Integrated lightning with LEDs.  
Removable bean container with aroma protecting lid for 500 g allows for an effortless exchange of different types of coffee beans.  
Automatic adjustment of ground coffee quantity.

Removable 2.4 litre water tank.  
Electronic water filter exchange indicator.  
Electronic fill level control for drip tray and container for coffee dregs.

**Selected digital services (Gaggeneau Home Connect)**

Coffee World: extended choice of coffee specialties from all over the world.  
Remote control and monitoring.  
Home network integration for digital services (Home Connect) either via cable connection LAN (recommended) or wireless via WiFi.  
The availability of the Home Connect functionality depends on the availability of the Home Connect Services in your country. Home Connect Services are not available in every country – for further information please check: [www.home-connect.com](http://www.home-connect.com)

**Safety**

Child lock.

**Cleaning**

Fully automatic rinse programme when machine is turned on/off.  
Automatic steam cleaning of the milk system after every beverage.  
Automatic cleaning and descaling programme.  
Emptying programme to prepare the appliance for holiday or transportation.  
Empty-grinding function to remove coffee residues from the system when switching bean types.  
Removable brewing unit.  
Coffee dregs container and drip tray dishwasher-safe.  
Milk frother dishwasher-safe.

**Planning notes**

Door hinge not reversible.  
Left-hinged  
Necessary lateral gap between appliance front and furniture panel of min. 5 mm.  
The door panel surface of the appliance extends 21 mm from the furniture cavity.  
When installing in a corner a side clearance is required.  
Door opening angle appr. 110° (delivery status)  
- mounting distance to the wall has to be at least 350 mm.  
Door opening angle appr. 155° - mounting distance to the wall has to be at least 650 mm.  
Door opening angle appr. 92° - mounting distance to the wall has to be at least 100 mm (spare part No. 00636455).  
Installation directly above 14 cm high WS in 59 cm standardised niche.  
The LAN port can be found at the back on the lower right side.  
Special accessories (order as spare parts):  
Part No. 17000705 Water filter Part No. 00311819 Descaling tablets Part No. 00636455 Door hinge restrictor (92° opening angle) Part No. 11015223 Bean container with lid

**Connection**  
Total connected load Total connected load 1.6 KW.  
Connection cable 1.7 m, pluggable.  
Plan a LAN cable.

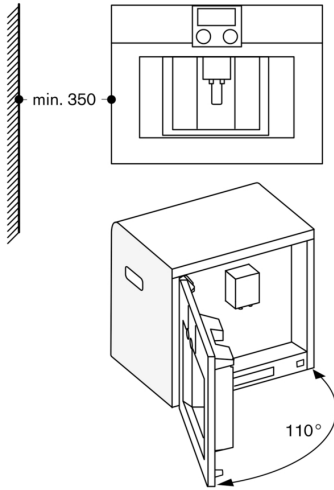
---

**CMP250132**

---

Power consumption standby/display off 0.5 W.  
Power consumption standby/network 2 W.  
Time auto-standby/display off 30 min.#  
Time auto-standby/network 30 min.  
Please check the user manual for how to switch  
off the WiFi module.

Left corner installation



If using the 92° door hinge restrictor (spare part no. 00636455), the minimum distance from the wall is only 100 mm.

