



**CMP270131**  
**Fully automatic espresso machine 200 series**  
**Full glass door in Gaggenau Silver**  
**Width 60 cm**  
**controls at the top**

Handless door / cushioned door closing system  
 Fixed inlet and outlet water connection  
 Continuous flow heater means no waiting time and constant brewing temperature  
 Aroma brewing technology for a full aroma  
 Single portion cleaning  
 TFT touch display  
 Panel-free appliance with surface control module  
 One-touch operation  
 Personalisation function  
 Seven light settings  
 Electronic fill level control for milk, water and coffee to ensure a perfect result

#### Type of beverage

Ristretto / 2 x Ristretto.  
 Espresso / 2 x Espresso.  
 Espresso Macchiato / 2 x Espresso Macchiato.  
 Coffee / 2 x Coffee.  
 Americano / 2 x Americano.  
 Caffè Latte / 2 x Caffè Latte.  
 Latte Macchiato / 2 x Latte Macchiato.  
 Cappuccino / 2 x Cappuccino.  
 Flat White / 2 x Flat White.  
 Milk froth / 2 x Milk froth.  
 Warm milk / 2 x Warm milk.  
 Hot water / 2 x Hot water.

#### Handling

Door with cushioned door closing system.  
 Rotary knob and TFT touch display operation.  
 Personalisation function, up to 8 beverages can be personalised and memorised.  
 4 beverage size settings, volume can be individually adjusted to match the size of the cup.  
 8 coffee strength levels from very mild to extra strong.  
 Coffee: 3 grades.  
 Hot water: 10 grades.  
 4 coffee-milk ratio levels.  
 Adjustable grinding level.  
 Height-adjustable coffee dispenser 7 cm to 15 cm.  
 Easy access to water tank, milk and coffee bean container behind the door.

#### Features

Maintenance-free grinding unit with ceramic discs.  
 Separate drawer for second ground coffee type.  
 Water pump with 19 bar pressure.  
 Double grinding and brewing cycles for extra intensity for one beverage.  
 Double grinding and brewing cycles for two beverages.  
 Dispenser with integrated milk system.  
 Insulated stainless steel milk container for up to 0.5 litres.  
 Integrated lightning with LEDs.  
 Removable bean container with aroma protecting lid for 500 g allows for an effortless exchange of different types of coffee beans.  
 Automatic adjustment of ground coffee quantity.  
 Removable 2.4 litre water tank.  
 Electronic water filter exchange indicator.  
 Fresh water-function to refill the water tank with fresh water.

#### Characteristics

**Construction type**  
 Built-in

**Frothing nozzle**  
 No

**Display**  
 No

**Water protection system**  
 No

**Portion sizes**  
 All cups

**Dimensions**  
 455 x 590 x 519

**Dimensions of the packed product (HxWxD)**  
 540 x 478 x 670

**Required niche size for installation (HxWxD)**  
 449 x 558 x 356

**EAN code**  
 4242006263935

**Electrical connection rating**  
 1600

**Fuse protection**  
 10

**Voltage**  
 220-240

**Frequency**  
 50/60

**Plug type**  
 Gardy plug w/ earthing

#### Consumption and connection features

created on 2021-09-28  
 Page 1

Electronic fill level control for drip tray and container for coffee dregs.

#### Safety

Child lock.

#### Cleaning

Fully automatic rinse programme when machine is turned on/off.  
 Automatic steam cleaning of the milk system after every beverage.  
 Automatic cleaning and descaling programme.  
 Emptying programme to prepare the appliance for holiday or transportation.  
 Empty-grinding function to remove coffee residues from the system when switching bean types.  
 Removable brewing unit.  
 Coffee dregs container and drip tray dishwasher-safe.  
 Milk frother dishwasher-safe.

#### Planning notes

Left-hinged  
 Necessary lateral gap between appliance front and furniture panel of min. 5 mm.  
 The door panel surface of the appliance extends 21 mm from the furniture cavity.  
 When installing in a corner a side clearance is required.  
 Door opening angle appr. 110° (delivery status) - mounting distance to the wall has to be at least 350 mm.  
 Door opening angle appr. 155° - mounting distance to the wall has to be at least 650 mm.  
 Door opening angle appr. 92° - mounting distance to the wall has to be at least 100 mm (spare part No. 00636455).  
 Installation directly above 14 cm high WS in 59 cm standardised niche.  
 At no point may the outlet hose be positioned higher than the bottom edge of the appliance. The outlet hose must also be at least 150 mm lower than the appliance outlet (see drawing "drainage connection").  
 If the appliance is placed too far from the main siphon, the drain system has to be adjusted on-site (building installation).  
 The water connection (1) for the inlet hose must always be accessible and not located directly behind the appliance.  
 The connection of the outlet hose to the siphon (2) must not be directly behind the appliance and should be accessible.  
 Special accessories (order as spare parts):  
 Part No. 17000705 Water filter  
 Part No. 00311819 Descaling tablets  
 Part No. 00311769 Cleaning tablets  
 Part No. 00636455 Door hinge restrictor (92° opening angle)  
 Part No. 11015223 Bean container with lid

#### Connection

Total connected load Total connected load 1.6 KW.  
 Only cold water connection.  
 Inlet hose 165 cm with 3/4" (26.4 mm) connection, extendable.  
 Outlet hose (ø 18 mm) 170 cm (HT-Hose).

#### Color Variants

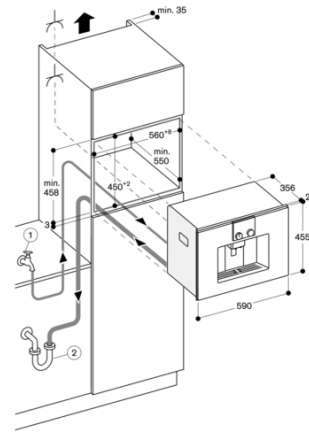
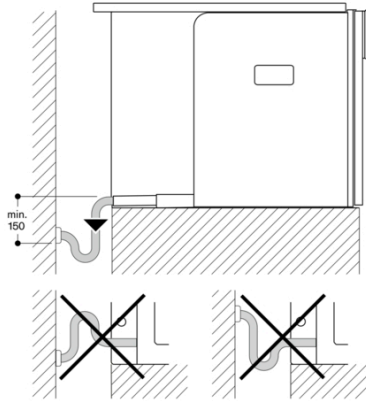
**CMP270131**  
**Full glass door in Gaggenau Silver**  
**Width 60 cm**

#### Included accessories

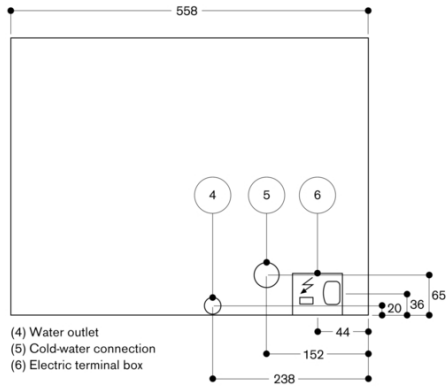
1 x assembly screws.  
 1 x scoop.  
 1 x test strip.  
 1 x milk container (insulated).  
 1 x connection hose for milk frother.  
 1 x milk pipe.

CMP270131  
 Fully automatic espresso machine 200 series  
 Full glass door in Gaggenau Silver  
 Width 60 cm  
 controls at the top  
 created on 2021-09-28  
 Page 2

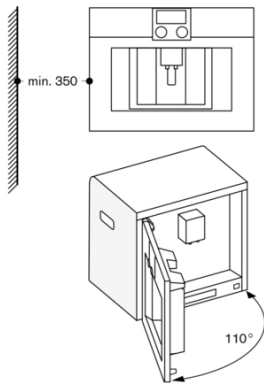
Drainage connection



View from rear



Left corner installation



If using the 92° door hinge restrictor (spare part no. 00636455), the minimum distance from the wall is only 100 mm.