



CX480111
Full surface induction cooktop
Stainless steel frame
Width 80 cm

One single big cooking surface
Free positioning of cookware
All sizes and formats of cookware can be used
TFT touch display for an intuitive control of all functions
Max. power output for big cookware of up to 4.4 kW
Precision crafting of 3 mm stainless steel
For surface installation with a visible edge or for flush installation
Can be combined perfectly with other Vario appliances of the 400 series

Cooking zones
One unique cooking surface of 2800 cm².
Up to 4 items of cookware can be placed simultaneously on the cooktop.

Handling
Easy to use colour graphic TFT touch display with use indications.
Electronic power control in 17 output levels.

Features
Booster function.
Individual pot detection.
Cooking timer for each cooking position.
Timer.
Information key with use indications.
Power management.

Safety
Main switch.
Residual heat indicator.
Child lock.
Display cleaning protection.

Planning notes
Depending on the type of installation (surface-mounted or flush-mounted), the specific definition of the cut-out must be observed.
If installing with the appliance cover VA 440 or adjustment strip VA 450 take into account the additional space required for the depth.
If combining several appliances with at least one appliance cover, the adjustment strip VA 450 is required to compensate for the depth of the appliance without the appliance cover.
If combining several Vario appliances of the 400 series, a connection strip VA 420 must be placed between the appliances. Depending on the type of installation, the corresponding connection strip must be provided.
In the cut-out, the installation system requires the side edge to be at least 10 mm for surface installation and at least 13 mm for flush installation. Ensure a continuous cut surface of 90°.
The bearing capacity and stability, in the case of thin worktops in particular, must be supported using suitable substructures. Take into account the appliance weight and additional loads.
Additional instructions for flush installation:
Installation is possible in worktops made of stone, synthetics or solid wood. Heat resistance and watertight sealing of the cut edges must be observed. Concerning other materials please consult the worktop manufacturer.

Characteristics
Product name/family
Cooking zone ceramic
Construction type
Built-in
Energy input
Electric
Total number of positions that can be used at the same time
4
Type of control setting devices
Required niche size for installation (HxWxD)
65 x 780-780 x 490-490
Width of the product (mm)
804
Dimensions of the product (mm)
65 x 804 x 520
Dimensions of the packed product (HxWxD) (mm)
120 x 930 x 615
Net weight (kg)
27.504
Gross weight (kg)
29.0
Residual heat indicator
Separate
Location of control panel
Hob front
Type of external control possibility
Basic surface material
Color of surface
anthracite, Stainless steel
Color of frame
Stainless steel
Approval certificates
AENOR, CE
Length of electrical supply cord (cm)
150
EAN code
4242006218645

Consumption and connection features
Electrical connection rating (W)
7200
Gas connection rating (W)
Current (A)
Voltage (V)
220-240
Frequency (Hz)
50; 60

created on 2019-09-24
Page 1

The groove must be continuous and even, so that uniform placing of the appliance on the gasket is ensured. Do not use discontinuous lining.
The joint width may vary due to size tolerances of the combinations and of the worktop cut-out.
If installing several appliances in individual cut-outs allow for a division bar of minimum 50 mm between the individual cut-outs.
Operates with magnetic (induction) iron pots and pans only. For an optimal heat distribution, the use of sandwich bottom cookware is recommended.
The wok pan WP 400 001 cannot be used with this appliance.
Immersion depth 65 mm.
Intermediate shelf is required.
Appliance can be snapped into the worktop from above.
Appliance weight: approx. 28 kg.

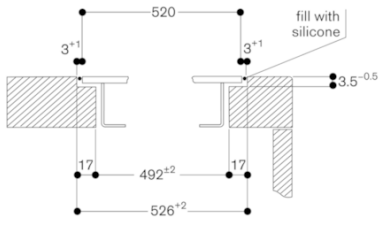
Connection
Total connected load 7.2 kW.
Connecting cable 1.5 m without plug.

Color Variants
CX480111
Stainless steel frame
Width 80 cm

Optional accessories
GN232110
Teppan Yaki made of multi ply material,
GN232230
Teppan Yaki made of multi ply material,

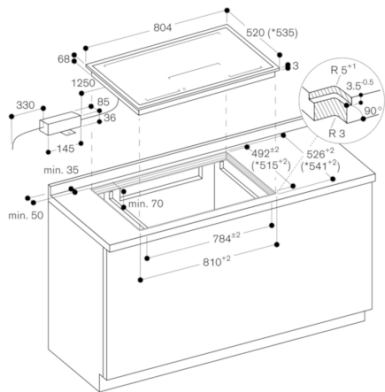
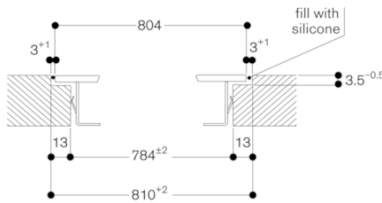
Installation Accessories
VA420000
Connection strip for combination with other Vario appliances of the 400 series for flush installation
VA420001
Connection strip for combination with other Vario appliances of the 400 series for flush installation with appliance cover/adjustment strip
VA420010
Connection strip for combination with other Vario appliances of the 400 series for surface installation
VA420011
Connection strip for combination with other Vario appliances of the 400 series for surface installation with appliance cover/adjustment strip
VA450800
Stainless steel adjustment strip 80 cm

Cross-section

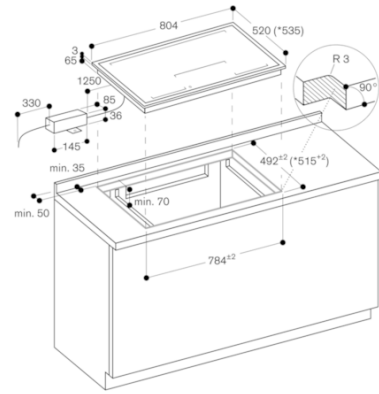


When installing with appliance cover or filler strip, pay attention to the deeper cut-out and the front and rear groove width.

Longitudinal section

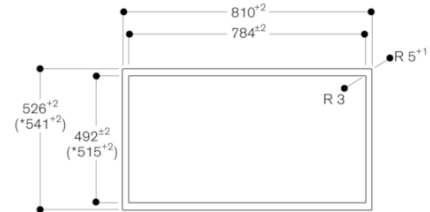


* with filler strip.
 See separate planning notes.



* with filler strip.
 See separate planning notes.

View from above



* with filler strip.