



**CX492100**  
**Full surface induction cooktop**  
**Frameless**  
**Width 90 cm**

One single big cooking surface  
Free positioning of cookware  
All sizes and formats of cookware can be used  
TFT touch display for an intuitive control of all functions  
Cooking sensor function for temperature control in pots  
Professional cooking functions  
Max. power output for big cookware of up to 4.4 kW  
Frameless for flush installation

#### Cooking zones

One unique cooking surface of 3200 cm<sup>2</sup>.  
Up to 6 items of cookware can be placed simultaneously on the cooktop.

#### Handling

Easy to use colour graphic TFT touch display with use indications.  
Electronic power control in Variable 17-stage power settings for each zone.

#### Features

Cooking sensor function.  
Professional cooking function.  
Dynamic cooking function.  
Teppan Yaki function.  
Booster function for pots.  
Booster function for pans.  
Keep warm function.  
Individual pot detection.  
Cooking timer for each cooking position.  
Stopwatch.  
Short-term timer.  
Information key with use indications.  
Power management.  
Cooktop-based ventilation control (with suitable hood).  
Integrated WiFi module for digital services (Home Connect).  
The availability of the Home Connect functionality depends on the availability of the Home Connect Services in your country. Home Connect Services are not available in every country – for further information please check: [www.home-connect.com](http://www.home-connect.com)

#### Safety

Main switch.  
Residual heat indication.  
Child lock.  
Safety shut-off.  
Pause function.

#### Planning notes

Operates with magnetic (induction) iron pots and pans only. For an optimal heat distribution, the use of sandwich bottom cookware is recommended.  
The wok pan WP 400 001 cannot be used with this appliance.  
Installation is possible in worktops made of stone, synthetics or solid wood. Heat resistance and watertight sealing of the cut edges must be observed. Concerning other materials please consult the worktop manufacturer.  
The bearing capacity and stability, in the case of thin worktops in particular, must be supported using suitable substructures. Take into account the appliance weight and additional loads.  
The groove must be continuous and even, so that uniform placing of the appliance on the gasket is ensured. Do not use discontinuous lining.

#### Characteristics

**Product name/family**  
Cooking zone ceramic

**Construction type**  
Built-in

**Energy input**  
Electric

**Total number of positions that can be used at the same time**  
6

**Type of control setting devices**  
Required niche size for installation (HxWxD)

**Width of the appliance**  
908

**Dimensions**  
76 x 908 x 520

**Dimensions of the packed product (HxWxD)**  
152 x 1081 x 636

**Net weight**  
31.023

**Gross weight**  
33.2

**Residual heat indicator**  
Separate

**Location of control panel**  
Hob front

**Type of external control possibility**  
Basic surface material

**Color of surface**  
anthracite

**Color of frame**  
Approval certificates  
AENOR, CE

**Length of electrical supply cord**  
150

**EAN code**  
4242006269838

**Electrical connection rating**  
7400

**Gas connection rating**  
Fuse protection

**Voltage**  
220-240

**Frequency**  
50; 60

#### Consumption and connection features

created on 2021-09-24  
Page 1

Appliance must be fixed from underneath.  
Joint width may vary due to dimensional tolerances of the glass ceramic cooktop and the worktop cut-out.  
Appliance weight: approx. 31.

#### Connection

Total connected load 7.4 KW.  
Connecting cable 1.5 m without plug.  
Power consumption standby/display off 0.5 W.  
Power consumption standby/network 2 W.  
Please check the user manual for how to switch off the WiFi module.

#### Color Variants

**CX492100**  
**Frameless**  
**Width 90 cm**

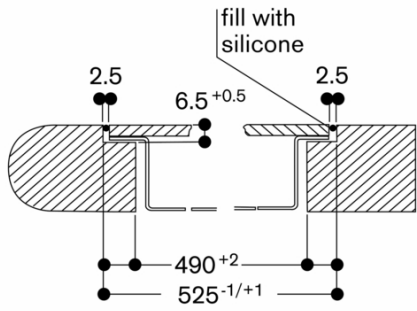
#### Included accessories

1 x wireless temperature sensor for cooktop.

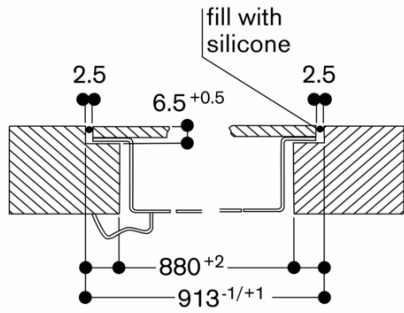
#### Optional accessories

**CA060300**  
**GN232110**  
**Teppan Yaki made of multi ply material,**  
**GN232230**  
**Teppan Yaki made of multi ply material,**

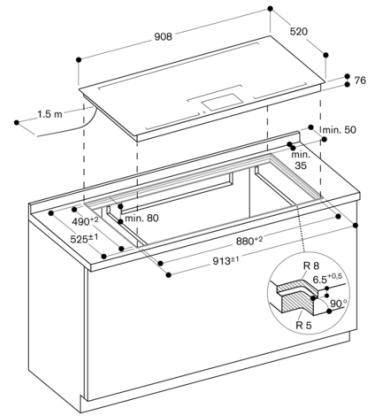
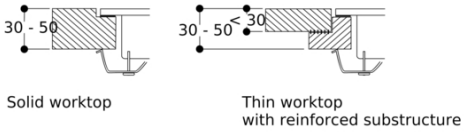
**Cross section**



**Longitudinal section**



**Worktop strength**



**View from above**

