



CX492110
Full surface induction cooktop
Stainless steel frame
Width 90 cm

One single big cooking surface
Free positioning of cookware
All sizes and formats of cookware can be used
TFT touch display for an intuitive control of all functions
Cooking sensor function for temperature control in pots
Professional cooking functions
Max. power output for big cookware of up to 4.4 kW
Precision crafting of 3 mm stainless steel
For surface installation with a visible edge or for flush installation
Can be combined perfectly with other Vario appliances of the 400 series

Cooking zones
One unique cooking surface of 3200 cm².
Up to 6 items of cookware can be placed simultaneously on the cooktop.

Handling
Easy to use colour graphic TFT touch display with use indications.
Electronic power control in Variable 17-stage power settings for each zone.

Features
Cooking sensor function.
Professional cooking function.
Dynamic cooking function.
Teppan Yaki function.
Booster function for pots.
Booster function for pans.
Keep warm function.
Individual pot detection.
Cooking timer for each cooking position.
Stopwatch.
Short-term timer.
Information key with use indications.
Power management.
Cooktop-based ventilation control (with suitable hood).
Integrated WiFi module for digital services (Home Connect).
The availability of the Home Connect functionality depends on the availability of the Home Connect Services in your country. Home Connect Services are not available in every country – for further information please check: www.home-connect.com

Safety
Main switch.
Residual heat indication.
Child lock.
Safety shut-off.
Pause function.

Planning notes
Depending on the type of installation (surface-mounted or flush-mounted), the specific definition of the cut-out must be observed.
If combining several Vario appliances of the 400 series, a connection strip VA 420 must be placed between the appliances. Depending on the type of installation, the corresponding connection strip must be provided.
The bearing capacity and stability, in the case of thin worktops in particular, must be supported using suitable substructures. Take into account the appliance weight and additional loads.

Characteristics
Product name/family
Cooking zone ceramic
Construction type
Built-in
Energy input
Electric
Total number of positions that can be used at the same time
6
Type of control setting devices
Required niche size for installation (HxWxD)
65 x 887-887 x 492-492
Width of the appliance
908
Dimensions
65 x 908 x 520
Dimensions of the packed product (HxWxD)
152 x 1080 x 636
Net weight
31.023
Gross weight
33.2
Residual heat indicator
Separate
Location of control panel
Hob front
Type of external control possibility
Basic surface material
Color of surface
anthracite, Stainless steel
Color of frame
Stainless steel
Approval certificates
AENOR, CE
Length of electrical supply cord
150
EAN code
4242006269852
Electrical connection rating
7400
Gas connection rating
Fuse protection
Voltage
220-240
Frequency
60; 50

Consumption and connection features

created on 2021-09-24
Page 1

Additional instructions for flush installation:
Installation is possible in worktops made of stone, synthetics or solid wood. Heat resistance and watertight sealing of the cut edges must be observed. Concerning other materials please consult the worktop manufacturer.
The groove must be continuous and even, so that uniform placing of the appliance on the gasket is ensured. Do not use discontinuous lining.
The joint width may vary due to size tolerances of the combinations and of the worktop cut-out.
If installing several appliances in individual cut-outs allow for a division bar of minimum 50 mm between the individual cut-outs.
Operates with magnetic (induction) iron pots and pans only. For an optimal heat distribution, the use of sandwich bottom cookware is recommended. The wok pan WP 400 001 cannot be used with this appliance.
Appliance can be snapped into the worktop from above.
Appliance weight: approx. 31.

Connection
Total connected load 7.4 KW.
Connecting cable 1.5 m without plug.
Power consumption standby/display off 0.5 W.
Power consumption standby/network 2 W.
Please check the user manual for how to switch off the WiFi module.

Color Variants

CX492110
Stainless steel frame
Width 90 cm

Included accessories

1 x wireless temperature sensor for cooktop.

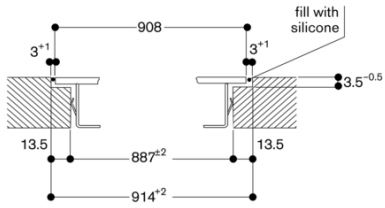
Optional accessories

CA060300
GN232110
Teppan Yaki made of multi ply material,
GN232230
Teppan Yaki made of multi ply material,

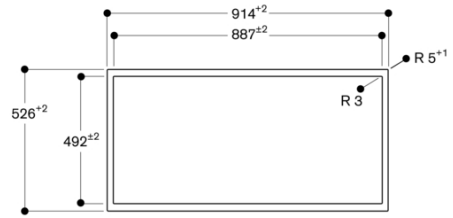
Installation Accessories

VA420010
Connection strip for combination with other Vario appliances of the 400 series for surface installation

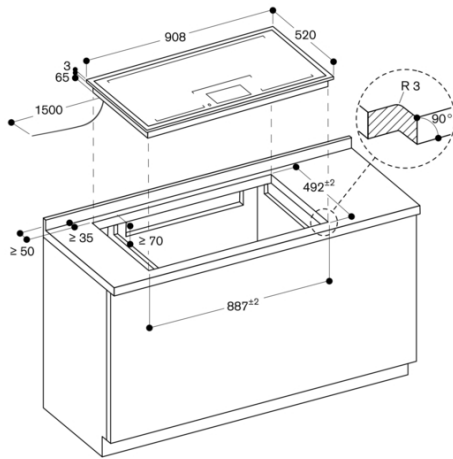
Longitudinal section



View from above

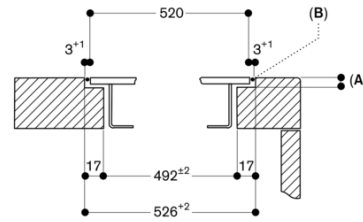


measurements in mm

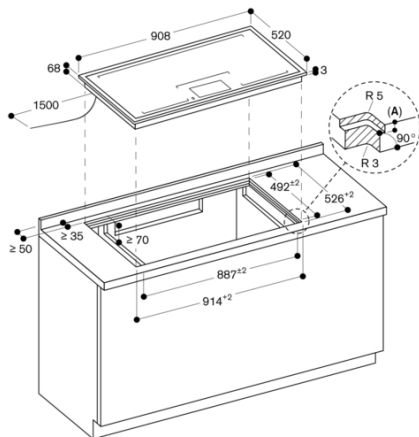


measurements in mm

Cross-section



A: $3.5^{0.5}$
 B: Fill with silicone
 measurements in mm



A: $3.5^{0.5}$
 measurements in mm