



**DF250141**  
**Dishwasher 200 series**  
**fully integrated**  
**Height 81.5 cm, width 45 cm**



6 programmes with aqua sensor and 2 options, Power and Intensive:  
 Clean and dry dishes in 65 minutes  
 Intensive cleaning in the lower basket while protecting glassware in the upper basket  
 Flexible basket system including cutlery drawer for optimal loading  
 Remaining time projection onto the kitchen floor  
 Bright interior light  
 Very quiet: 44 dB  
 Energy efficiency class A+++

**Handling**  
 Display indicating remaining or end time, refill for salt and rinsing agent, inflow of water.  
 Time delay up to 24 hours.  
 Remaining time projection.

**Features**  
 Bright interior light.  
 Glass protection with zeolite.  
 Aqua sensor.  
 Load sensor.  
 Automatic detergent function.  
 Regeneration electronics.  
 Heat exchanger.  
 Continuous flow heater.  
 Triple filter system, self-cleaning.  
 Soft lock.

**Programmes**  
 6 programmes:  
 Auto 65 °C - 75 °C.  
 Auto 45 °C - 65 °C.  
 Auto 35 °C - 45 °C  
 Standard Eco 50 °C.  
 Quick wash 45 °C (29 min.).  
 Pre-rinse.  
 2 Options:  
 Power.  
 Intensive.

**Features**  
 Flexible basket system.  
 Cutlery drawer.  
 Upper basket:  
 Rackmatic with 3 levels, adjustable in height up to 5 cm.  
 3 folding spines.  
 1 folding rack.  
 Lower basket:  
 4 folding spines.  
 1 folding rack.  
 Glass support.  
 Cutlery basket.  
 Maximum dish sizes (upper/lower basket)  
 19/25, 16.5/27.5 or 14/31 cm respectively.  
 10 place setting capacity.

**Product rating**  
 From 9.5 l water.  
 From 0.66 kWh.  
 Noise level 44 dB (re 1 pW).

**Planning notes**  
 Height-adjustable feet.  
 Appliance plinth recess 100 mm (see drawing).  
 To display the remaining time projection, a minimum plinth protrusion must be present (40 mm + thickness of the furniture front).  
 The maximum plinth height must be reduced by 30 mm to provide an optimal display of the remaining time projection.  
 Rear feet adjustable at front.  
 Door panel dimension dependent on plinth height of kitchen furniture.

**Characteristics**  
**Energy Efficiency Class**  
 D  
**Energy Consumption for 100 cycles Eco Programme**  
 67  
**Maximum number of place settings**  
 10  
**The water consumption of the eco programme in liters per cycle**  
 9.5  
**Programme duration**  
 3:15  
**Airborne acoustical noise emissions**  
 44  
**Airborne acoustical noise emission class**  
 B  
**Construction type**  
 Built-in  
**Height of removable worktop**  
 0  
**Dimensions of the product (HxWxD)**  
 815 x 448 x 550  
**Required niche size for installation (HxWxD)**  
 815-875 x 450 x 550  
**Approval certificates**  
 CE, VDE  
**Depth with open door 90 degree**  
 1150  
**Adjustable feet**  
 Yes - all from front  
**Maximum adjustability feet**  
 60  
**Adjustable plinth**  
 both horizontal and vertical  
**Net weight**  
 40.745  
**Gross weight**  
 42.5  
**Connection rating**  
**Fuse protection**  
 10  
**Voltage**  
 220-240  
**Frequency**  
 50; 60  
**Length of electrical supply cord**  
 175  
**Plug type**  
 Gardy plug w/ earthing  
**Length inlet hose**  
 165  
**Length outlet hose**  
 205  
**EAN code**  
 4242006261580  
**Installation type**  
 Full-integrated

**Consumption and connection features**  
 created on 2021-11-23  
 Page 1

**Color Variants**

**DF250141**  
**fully integrated**  
**Height 81.5 cm, width 45 cm**

**Included accessories**

1 x baking tray spray head.

**Optional accessories**

**DA042030**  
**Silvercare cartridge for all dishwashers**

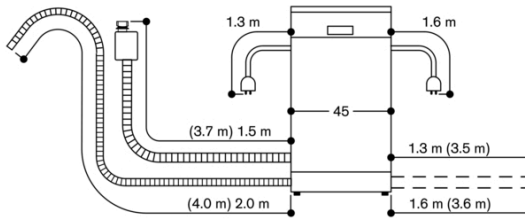
**Installation Accessories**

**DA020010**  
**Stainless steel trim kit for 81,5 cm high dishwashers**  
**DA021000**  
**Hinge for all fully integrated dishwashers**  
**GZ010011**  
**Aqua stop extension (2 m long)**

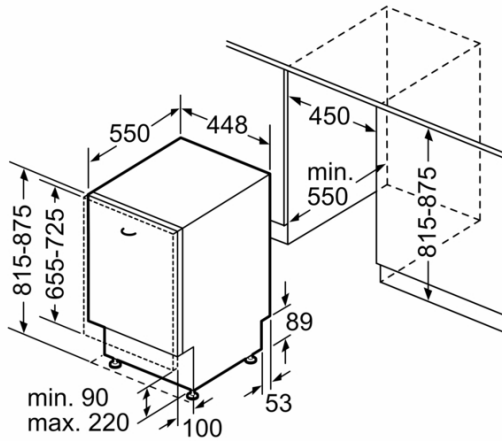
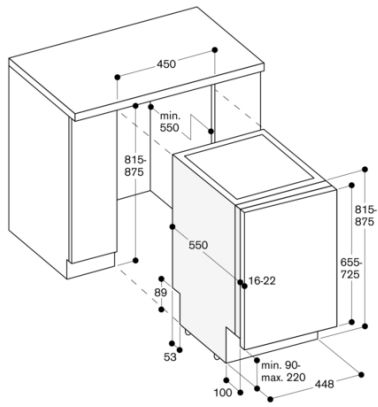
**Connection**

Connecting cable pluggable.  
 Water connection with 3/4" screw joint.  
 Connection to hot or cold water possible.

Connection dimensions for a 45 cm wide dishwasher



( ) values with extension kit



measurements in mm