



DF270100F
Dishwasher 200 series
fully integrated
Height 81.5 cm
with flexible hinge



Optimal protection for sensitive glassware by low temperature drying with zeolite, elaborated basket design and intelligent water softening
 6 programmes with aqua sensor and 3 options, such as Power for cleaning and drying dishes from 57 minutes and Intensive for particularly thorough cleaning in the lower basket
 Flexible basket system with smooth running rails on all levels
 Bright interior light
 Push-to-open function for perfect integration into handleless furniture fronts
 Flexible hinge for reduced plinth height as of 50 mm
 Lateral Info-Light
 Very quiet: 42 dB

Handling
 Touch key operation.
 Flexible cycle time reduction, even during an active cycle.
 Personalisation function for storing individual combinations of programmes.
 Temporary noise reduction.
 Information key with use indications.
 Time delay up to 24 hours.
 Lateral Info-Light.

Features
 Bright interior light.
 Glass protection with zeolite.
 Aqua sensor.
 Load sensor.
 Automatic detergent function.
 Regeneration electronics.
 Heat exchanger.
 Continuous flow heater.
 Triple filter system, self-cleaning.
 Soft lock.
 Aqua stop.
 Integrated WiFi module for digital services (Home Connect).
 The availability of the Home Connect functionality depends on the availability of the Home Connect Services in your country. Home Connect Services are not available in every country – for further information please check: www.home-connect.com

Programmes
 3 options:
 Intensive.
 Power.
 Half Load.
 Machine Care.

Features
 Flexible basket system with smooth running rails on all levels.
 Upper basket:
 Over extension.
 Optional extra cleaning area by activating additional spray nozzles.
 Rackmatic with 3 levels, adjustable in height up to 5 cm.
 6 folding spines.
 4 folding racks for optimal protection of glass.
 Lower basket:
 8 folding spines.
 2 folding racks for optimal protection of glass.
 Dividable glass support.
 Cutlery basket.
 Maximum dish sizes (upper/lower basket)

Characteristics
Energy Efficiency Class
 C
Energy Consumption for 100 cycles Eco Programme
 73
Maximum number of place settings
 12
The water consumption of the eco programme in liters per cycle
 9.5
Programme duration
 3:55
Airborne acoustical noise emissions
 42
Airborne acoustical noise emission class
 B
Construction type
 Built-in
Height of removable worktop
 0
Dimensions of the product (HxWxD)
 815 x 598 x 550
Required niche size for installation (HxWxD)
 815-875 x 600 x 550
Approval certificates
 CE, VDE
Depth with open door 90 degree
 1150
Adjustable feet
 Yes - all from front
Maximum adjustability feet
 60
Adjustable plinth
 both horizontal and vertical
Net weight
 51.2
Gross weight
 53.5
Connection rating
 2400
Fuse protection
 10
Voltage
 220-240
Frequency
 50; 60
Length of electrical supply cord
 175
Plug type
 Gardy plug w/ earthing
Length inlet hose
 165
Length outlet hose
 190
EAN code
 4242006296186
Installation type
 Full-integrated

Consumption and connection features
 created on 2022-03-08
 Page 1

12 place setting capacity.
 Maximum glass loading capacity 23 wine glasses.

Product rating
 Energy efficiency class C at a range of energy efficiency classes from A to G. From 9.5 l water.
 From 0.8 kWh.
 Noise level 42 dB (re 1 pW).

Planning notes
 Height-adjustable feet.
 Appliance plinth recess 100 mm (see drawing).
 Rear feet adjustable at front.
 Door weight up to 11 kg.
 Door panel dimension dependent on plinth height of kitchen furniture.

Connection
 Total connected load 2000-2400 W.
 Connecting cable plugable.
 Water connection with 3/4 " screw joint.
 Connection to hot or cold water possible.
 Power consumption standby/network 2 W.
 Power consumption left-on-mode 0.5 W.
 Power consumption off-mode 0.5 W.
 Time auto-standby/network 2 min.
 Left-on-mode duration 0 min.
 Please check the user manual for how to switch off the WiFi module.

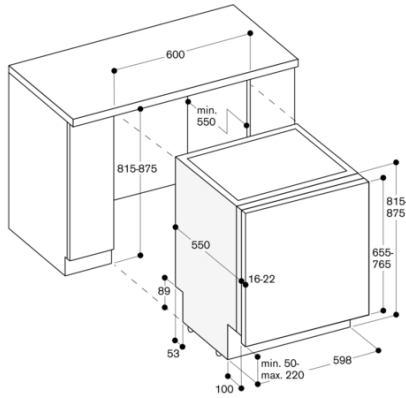
Color Variants
DF270100F
fully integrated
Height 81.5 cm

Included accessories
 1 x baking tray spray head.
 1 x stainless steel trim kit.

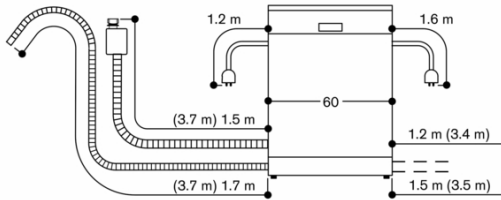
Optional accessories
DA041160
DA042030
Silvercare cartridge for all dishwashers
DA043000
Holder for long-stemmed glasses

Installation Accessories
GZ010011
Aqua stop extension (2 m long)

81.5 cm high dishwasher with flexible hinge



Connection dimensions for a 60 cm wide dishwasher



() values with extension kit