



DF271100
Dishwasher 200 series
fully integrated
Height 86.5 cm



Optimal protection for sensitive glassware by low temperature drying with zeolite, elaborated basket design and intelligent water softening
 6 programmes with aqua sensor and 3 options, such as Power for cleaning and drying dishes from 57 minutes and Intensive for particularly thorough cleaning in the lower basket
 Flexible basket system with smooth running rails on all levels
 Bright interior light
 Push-to-open function for perfect integration into handleless furniture fronts
 Remaining time projection onto the kitchen floor
 Very quiet: 42 dB

Handling
 Touch key operation.
 Flexible cycle time reduction, even during an active cycle.
 Personalisation function for storing individual combinations of programmes.
 Information key with use indications.
 Time delay up to 24 hours.
 Remaining time projection.

Features
 Bright interior light.
 Glass protection with zeolite.
 Aqua sensor.
 Load sensor.
 Automatic detergent function.
 Regeneration electronics.
 Heat exchanger.
 Continuous flow heater.
 Triple filter system, self-cleaning.
 Soft lock.
 Aqua stop.

Digital Features
 Programme assistant.
 Temporary noise reduction.
 Integrated WiFi module for digital services
 (Home Connect).
 The availability of the Home Connect functionality depends on the availability of the Home Connect Services in your country. Home Connect Services are not available in every country – for further information please check: www.home-connect.com

Programmes
 6 programmes:
 Auto 35 °C - 45 °C.
 Auto 45 °C - 65 °C.
 Auto 65 °C - 75 °C.
 Eco 50 °C.
 Quick wash 45 °C (35 min.).
 Personalisation function (default setting: Pre-rinse).
 3 options:
 Intensive.
 Power.
 Half Load.
 Machine Care.

Features
 Flexible basket system with smooth running rails on all levels.
 Upper basket:
 Over extension.
 Optional extra cleaning area by activating additional spray nozzles.
 Rackmatic with 3 levels, adjustable in height up to 5 cm.
 6 folding spines.

Characteristics
Energy Efficiency Class
 C
Energy Consumption for 100 cycles Eco Programme
 73
Maximum number of place settings
 12
The water consumption of the eco programme in liters per cycle
 9.5
Programme duration
 3:55
Airborne acoustical noise emissions
 42
Airborne acoustical noise emission class
 B
Construction type
 Built-in
Height of removable worktop
 0
Dimensions of the product (HxWxD)
 865 x 598 x 550
Required niche size for installation (HxWxD)
 865-925 x 600 x 550
Approval certificates
 CE, VDE
Depth with open door 90 degree
 1200
Adjustable feet
 Yes - all from front
Maximum adjustability feet
 60
Adjustable plinth
 both horizontal and vertical
Net weight
 49.2
Gross weight
 51.5
Connection rating
 2400
Fuse protection
 10
Voltage
 220-240
Frequency
 50; 60
Length of electrical supply cord
 175
Plug type
 Gardy plug w/ earthing
Length inlet hose
 165
Length outlet hose
 190
EAN code
 4242006296667
Installation type
 Full-integrated

Consumption and connection features
 created on 2022-03-08
 Page 1

Lower basket:
 8 folding spines.
 2 folding racks for optimal protection of glass.
 Dividable glass support.
 Cutlery basket.
 Maximum dish sizes (upper/lower basket)
 29/28, 26.5/30.5 or 24/34 cm respectively.
 12 place setting capacity.
 Maximum glass loading capacity 23 wine glasses.

Product rating
 Energy efficiency class C at a range of energy efficiency classes from A to G.
 From 9.5 l water.
 From 0.8 kWh.
 Noise level 42 dB (re 1 pW).

Planning notes
 Height-adjustable feet.
 Appliance plinth recess 100 mm (see drawing).
 To display the remaining time projection, a minimum plinth protrusion must be present (40 mm + thickness of the furniture front).
 The maximum plinth height must be reduced by 30 mm to provide an optimal display of the remaining time projection.
 Rear feet adjustable at front.
 Door weight up to 10 kg.
 Door panel dimension dependent on plinth height of kitchen furniture.

Connection
 Total connected load 2000-2400 W.
 Connecting cable plugable.
 Water connection with 3/4 " screw joint.
 Connection to hot or cold water possible.
 Power consumption standby/network 2 W.
 Power consumption left-on-mode 0.5 W.
 Power consumption off-mode 0.5 W.
 Time auto-standby/network 2 min.
 Left-on-mode duration 0 min.
 Please check the user manual for how to switch off the WiFi module.

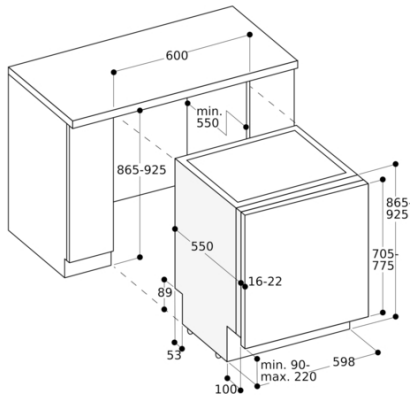
Color Variants
 DF271100
 fully integrated
 Height 86.5 cm

Included accessories
 1 x baking tray spray head.
 1 x stainless steel trim kit.

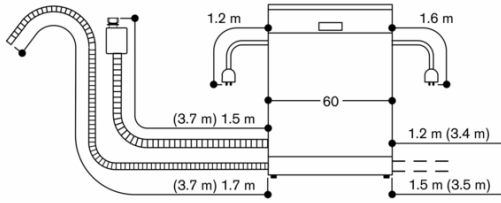
Optional accessories
 DA041160
 DA042030
 Silvercare cartridge for all dishwashers
 DA043000
 Holder for long-stemmed glasses
 DA045061
 3rd basket

Installation Accessories
 DA021000
 Hinge for all fully integrated dishwashers
 GZ010011
 Aqua stop extension (2 m long)

86.5 cm high dishwasher



Connection dimensions for a 60 cm wide dishwasher



() values with extension kit