



DF480100

Dishwasher 400 series

fully integrated

Height 81.5 cm



Optimal protection for sensitive glassware by low temperature drying with zeolite, elaborated basket design and intelligent water softening
8 programmes with aqua sensor and 4 options, such as Power for cleaning and drying dishes from 57 minutes and Intensive for particularly thorough cleaning in the lower basket
Flexible basket system with smooth running rails on all levels and cushioned closing of the upper and lower basket
Perfectly illuminated interior
Push-to-open function for perfect integration into handleless furniture fronts
Remaining time projection onto the kitchen floor
Very quiet: 42 dB

Handling

TFT display indicating remaining or end time, refill for salt and rinsing agent, inflow of water.
Touch key operation.
Flexible cycle time reduction, even during an active cycle.
Personalisation function for storing individual combinations of programmes.
Information key with use indications.
Time delay up to 24 hours.
Visual and acoustic end of programme indicator.
Remaining time projection.

Features

Perfectly illuminated interior.
Glass protection with zeolite.
Aqua sensor.
Load sensor.
Automatic detergent function.
Regeneration electronics.
Heat exchanger.
Continuous flow heater.
Triple filter system, self-cleaning.
Soft lock.
Aqua stop.

Selected digital services (Home Connect)

Programme assistant.
Temporary noise reduction.
Downloadable programmes.
Integrated WiFi module for digital services (Home Connect).
The availability of the Home Connect functionality depends on the availability of the Home Connect Services in your country. Home Connect Services are not available in every country – for further information please check: www.home-connect.com

Programmes

8 programmes:
Auto 35 °C - 45 °C. Auto 45 °C - 65 °C.
Auto 65 °C - 75 °C. Intensive 70 °C.
Eco 50 °C. Night programme. Quick wash 45 °C (35 min.). Personalisation function (default setting: Pre-rinse).
4 options:
Intensive. Power. Half Load. Hygiene. Machine Care.

Interior

Flexible basket system with smooth running rails on all levels and cushioned closing of the upper and lower basket.
Upper basket:

Characteristics

Energy Efficiency Class

C

Energy Consumption for 100 cycles Eco Programme

73

Maximum number of place settings

12

The water consumption of the eco programme in liters per cycle

9.5

Programme duration

3:55

Airborne acoustical noise emissions

42

Airborne acoustical noise emission class

B

Construction type

Built-in

Height of removable worktop

0

Dimensions of the product (HxWxD)

815 x 598 x 550

Min. required niche size for installation (HxWxD)

815-875 x 600 x 550

Depth with open door 90 degree

1150

Adjustable feet

Yes - all from front

Maximum adjustability feet

60

Adjustable plinth

both horizontal and vertical

Net weight

52.1

Gross weight

54.0

Connection rating

2400

Fuse protection

10

Voltage

220-240

Frequency

50; 60

Repair index

8.8

Length of electrical supply cord

175

Plug type

Gardy plug w/ earthing

Length inlet hose

165

Length outlet hose

190

EAN code

4242006297053

Installation type

Full-integrated

Included accessories

1 x baking tray spray head, 1 x GN container insert, 1 x holder for long-stemmed glasses, 1 x stainless steel trim kit

Consumption and connection features

created on 2023-01-26

Page 1

Lower basket:

8 folding spines. 2 folding racks for optimal protection of glass. Dividable glass support.
Cutlery basket.
Maximum dish sizes (upper/lower basket)
27/25, 24.5/27.5 or 22/31 cm respectively.
12 place setting capacity.
Maximum glass loading capacity 23 wine glasses.

Product rating

Energy efficiency class C at a range of energy efficiency classes from A to G. From 9.5 l water. From 0.8 kWh. Noise level 42 dB (re 1 pW).

Planning notes

Height-adjustable feet.
Appliance plinth recess 100 mm (see drawing).
To display the remaining time projection, a minimum plinth protrusion must be present (40 mm + thickness of the furniture front).
The maximum plinth height must be reduced by 30 mm to provide an optimal display of the remaining time projection.
Rear feet adjustable at front.
Door weight up to 8.5 kg.
Door panel dimension dependent on plinth height of kitchen furniture.
Installation and usage also with furniture handle possible. The push-to-open function remains active.

Connection

Total connected load 2000-2400 W. Connecting cable pluggable.
Water connection with 3/4 " screw joint. Connection to hot or cold water possible.
Power consumption standby/network 2 W.
Power consumption left-on-mode 0.5 W. Power consumption off-mode 0.5 W. Time auto-standby/network 2 min. Left-on-mode duration 0 min.
Please check the user manual for how to switch off the WiFi module.
For installation of appliances with Schuko-plug in households with Denmark-sockets (Typ K) is the special accessory HEZG9AS00S available.

Color Variants

DF480100

fully integrated

Height 81.5 cm

Included accessories

1 x baking tray spray head.
1 x GN container insert.
1 x holder for long-stemmed glasses.
1 x stainless steel trim kit.

Optional accessories

DA041160

DA042030

Silvercare cartridge for all dishwashers

DA043000

Holder for long-stemmed glasses

Installation Accessories

DA021000

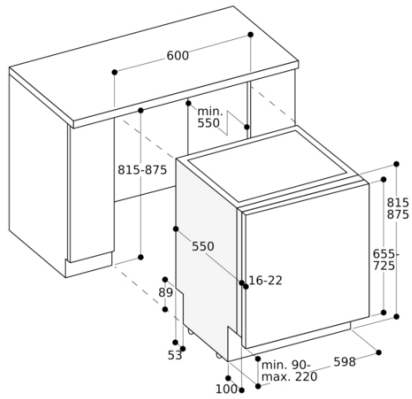
Hinge for all fully integrated dishwashers

GZ010011

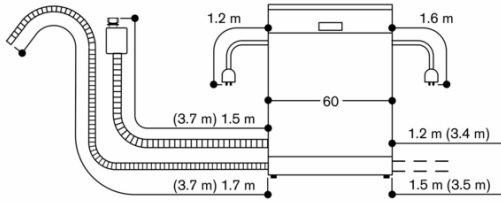
Aqua stop extension (2 m long)

GAGGENAU

81.5 cm high dishwasher



Connection dimensions for a 60 cm wide dishwasher



() values with extension kit