



EB333110 stainless steel

One-piece front-hinged door with 3 mm precision crafted stainless steel front door panel
Cushioned door opening and closing system
Diagonally positioned light sources for optimal interior lighting
Pyrolytic system
17 heating methods, with core temperature probe, rotisserie spit and baking stone function
Hot air fan rotates in both directions for ideal heat distribution
TFT touch display
Panel-free appliance with control module behind glass
83 litres net volume

Heating methods

Hot air. Eco hot air. Top + bottom heat. Top + 1/3 bottom heat. Top heat. 1/3 top + bottom heat. Bottom heat. Hot air + bottom heat. Hot air + 1/3 bottom heat. Full surface grill + circulated air. Full surface grill. Compact grill. Baking stone function. Roaster function. Dough proofing. Defrosting. Keeping warm.

Handling

Rotary knob and TFT touch display operation.
Option to save individual recipes (incl. core temperature probe).
Information key with use indications.
Front-hinged door with 90° door opening angle.

Features

Core temperature probe with automatic shut off.
Rotisserie spit.
Baking stone socket.
Actual temperature display.
Rapid heating.
Timer functions: cooking time, cooking time end, timer, stopwatch, long-term timer.
60 W halogen light on the top.
2 x 10 W halogen light on the side.
Enamelled side shelf supports with 3 tray levels, pyrolysis-safe.

Safety

Thermally insulated door with quintuple glazing.
Child lock.
Safety shut-off.
Cooled housing with temperature protection.

Cleaning

Pyrolytic system.
Gaggenau enamel.
Heated air cleaning catalyst.

Planning notes

The door panel surface of the appliance extends 40 mm from the furniture cavity.
The outer edge of the door handle extends 90 mm from the furniture cavity.
For installation underneath cooktops:
Distance between the underside of the cooktop and the top edge of the oven cavity: min. 15 mm. The planning notes for the cooktops (particularly regarding ventilation, gas/electric connection) must be taken into account.

Characteristics

Color / Material Front

Stainless steel

Construction type

Built-in

Integrated Cleaning system

Pyrolytic

Required niche size for installation (HxWxD)

475-475 x 860-860 x 560

Dimensions of the product (mm)

480 x 890 x 550

Dimensions of the packed product (HxWxD) (mm)

710 x 720 x 990

Control Panel Material

Stainless steel

Door Material

Stainless steel behind glass

Net weight (kg)

82.197

Usable volume of cavity (l)

83

Cooking method

Baking stone function, Bottom heat, Conventional heat, Defrost, Dough proving setting, Full width grill, Half width grill, Hot Air, Hot Air-Eco, Hot air grilling, Roaster function, Top heat, warming

First cavity material

Oven control

electronic

Number of interior lights

3

Approval certificates

Australia Standards, CCC, CE, China, China ROHS 20, Eurasian, G-Mark, Ukraine, VDE

Length of electrical supply cord (cm)

EAN code

4242006260743

Consumption and connection features

Number of cavities (2010/30/EC)

1

Energy efficiency class (2010/30/EC)

A

Energy consumption per cycle conventional (2010/30/EC)

1.32

Energy consumption gas oven per cycle conventional (2010/30/EC)

0.86

Energy consumption per cycle forced air convection (2010/30/EC)

0.86

Energy consumption gas oven per cycle forced air convection (2010/30/EC)

0.86

Energy efficiency index (2010/30/EC)

95.6

Connection rating (W)

5380

Current (A)

25

Voltage (V)

220-240

Frequency (Hz)

50

Plug type

fixed connection, no plug

created on 2020-07-31

Page 1

To achieve the 550 mm installation depth, the connection cable needs to follow the slanted edge on the corner of the housing.

The main socket needs to be planned outside of the niche.

Connection

Total connected load 5.4 KW.

Plan a connection cable.

Color Variants

EB333110

Included accessories

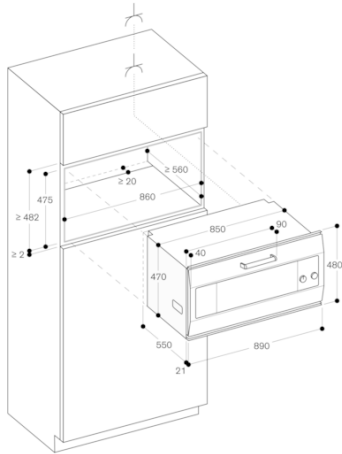
1 x enamel baking tray.
suit. pyrolytic clean.
1 x rotary spit.
1 x grill shelf.
1 x grill tub with grid.
1 x pluggable meat probe.

Optional accessories

BA018105
Pull-out system
BA028115
Baking tray, enamelled
BA038105
Wire rack, chromium-plated
BA058115
Heating element for baking stone and Gastronorm roaster
BA058133
Baking stone
BS020002
Pizza paddle, set of 2
GN340230
Gastronorm roaster in cast aluminium

EB333110
stainless steel

created on 2020-07-31
Page 2



△ Socket
measurements in mm