



GM220100

Included accessories

- 1 x grid
- 1 x glass tray

installation accessories

- GA601010:
Adjustable intermediate shelf 60cm

**Built-In Microwave with grill Gaggenau
Minimalistic series**
door hinge: right
GM220100

Highlights

- Flush installation
- Handleless full glass door with electronic door opening.
- Full touch display.
- Single operation and combination of microwave and grill
- Automatic programmes.
- Net volume 21 litres.

Heating methods / Programmes

- Microwave operation with 6 output levels: max. 900, 600, 450, 360, 180, 90 W.
- Full surface grill with 3 levels of intensity, maximum output 1300 W.
- Full surface grill with microwave output levels 360, 180 and 90 W combinable.
- 10 automatic programmes with weight indication:
 - 3 defrosting programmes
 - 4 cooking programmes
 - 3 combination programmes
- Option to save up to 10 favourites via Gaggenau Home Connect.

Handling

- Side-opening door opens up to 95° angle.
- Electronic door opening.
- Touch display operation.
- 42 display languages available.
- Info texts for additional information.

Features

- Innowave (inverter technology) for uniform microwave output.
- Timer functions: cooking time, cooking time end, count-up timer.
- Soft interior lighting.

Selected digital services (Gaggenau Home Connect)

- Remote control and monitoring.
- Software updates.

Safety

- Child lock to prevent accidental switch on or operation of the appliance.
- Safety shut-off.
- Thermally insulated door with double glazing.
- Cooled housing with temperature protection.

Cleaning

- Hygienic stainless steel interior with heat resistant glass base.
- Cleaning aid programme.

Planning notes

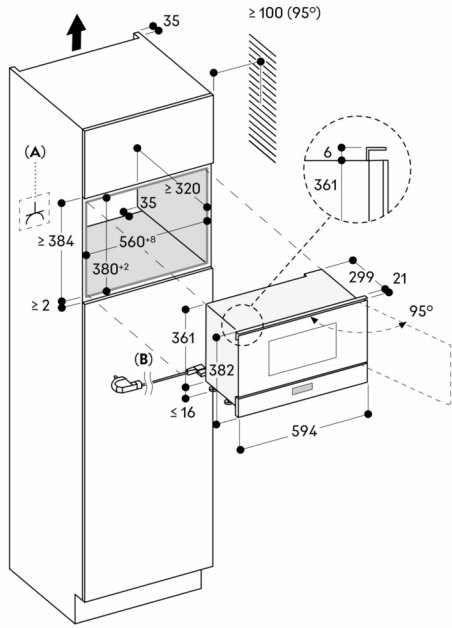
- Plan the niche without back wall.
- Door hinge not reversible.
- Minimum installation height 85 cm (top edge of niche bottom).
- Height-adjustable feet.
- Protrusion from appliance front to furniture cabinet 21 mm.

Installation above an oven with a standard furniture shelf or the intermediate shelf GA 601 010.

When planning a corner solution, pay attention to the side-opening door and the minimum required distance to the wall.

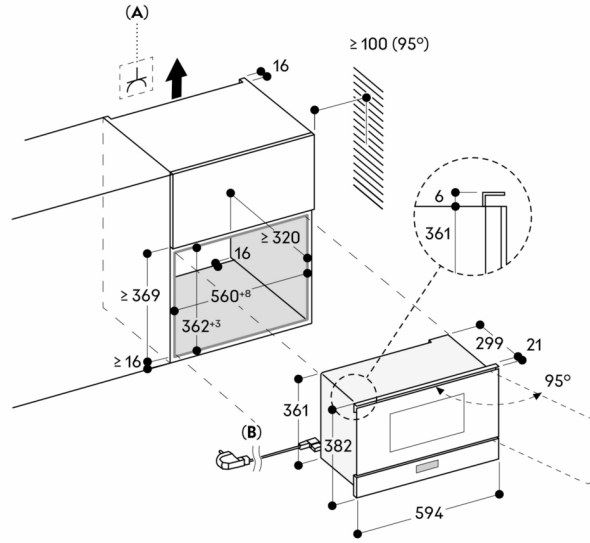
Connection

- Total connected load 2.05 KW.
- Connection cable 1.75 m, pluggable.



A: Accessible electrical connection
B: Cable with or without plug, depending on country
 Measurements in mm

Installation in a wall-hanging cupboard



A: Accessible electrical connection
B: Cable with or without plug, depending on country
 Measurements in mm