



GM250100

#### Included accessories

1 x glass tray  
1 x wire rack

#### Optional accessories

BA036106:  
Wire rack, for 60cm oven

BA046118:  
Glass tray 60cm

#### Installation accessories

GA601010:  
Adjustable intermediate shelf 60cm

### combi-microwave oven Gaggenau Minimalistic series

60 x 45 cm, door hinge: right

GM250100

#### Highlights

Flush installation  
Handleless full glass door with electronic door opening.  
Full touch display with stainless steel control ring.  
Light and display response upon user detection.  
Single operation and combination of microwave and oven.  
Automatic programmes and setting recommendations.  
Net volume 46 litres.

#### Heating methods / Programmes

Microwave operation with 6 output levels: max. 1000, 600, 450, 360, 180, 90 W.  
Oven operation with 9 heating methods:  
Hot air from 30 °C to 230 °C,  
Grill + circulated air from 30 °C to 230 °C,  
Warming up beverages, with max. microwave level,  
Warming up meals from 360 W to 600 W,  
Dehydrating from 30 °C to 80 °C,  
Low temperature cooking from 30 °C to 90 °C + microwave,  
Dough proving from 30 °C to 50 °C,  
Keeping warm, with special microwave level,  
Defrosting from 90 W to 360 W.  
Hot air and grill + circulated air freely combinable with microwave output levels 450, 360, 180 and 90 W.  
70 programmes (automatic programmes and setting recommendations).  
Option to save up to 30 favourites.

#### Handling

Cushioned side-opening door with 110 ° opening angle.  
Electronic door opening.  
Full touch display with control ring.  
42 display languages available.  
User detection, adjustable distance.  
Info texts for additional information.  
Animated quick guides to assist appliance operation.

#### Features

Innowave (inverter technology) for uniform microwave output.  
Precise temperature control with display of the current temperature.  
Grill can be added briefly in hot air mode for additional browning.  
Connection for core temperature probe (oven temperature probe usable).  
Programmable automatic door opening at cooking time end to avoid overcooking.  
Timer functions: cooking time, cooking time end, count-up timer.  
Long-term timer with pre-programmable heating cycles.  
Hot air fan rotates in both directions for ideal heat distribution  
Optimum visibility of the food thanks to side lighting.

2 shelf levels and option of placing the food in suitable accessories directly on the cooking compartment floor.

#### Selected digital services (Gaggenau Home Connect)

Remote control and monitoring.  
Software updates.  
Cooking time estimation when using the core temperature probe.  
Door opening via voice assistant.

#### Safety

Child lock to prevent accidental switch on or operation of the appliance.  
Electronic door lock to prevent unintentional opening of the appliance door.  
Safety shut-off.  
Thermally insulated door with triple glazing.  
Cooled housing with temperature protection.

#### Cleaning

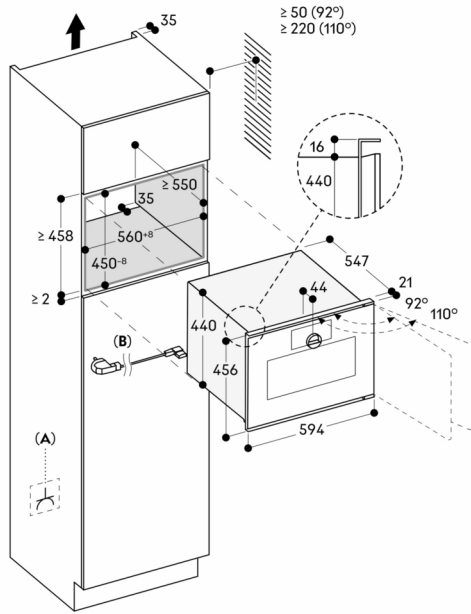
Hygienic stainless steel interior with heat resistant glass base.  
Cleaning aid programme.

#### Planning notes

Plan the niche without back wall.  
Door hinge not reversible.  
Protrusion from appliance front to furniture cabinet 21 mm.  
When planning a corner solution, pay attention to the side-opening door and the minimum required distance to the wall.  
Door opening angle appr. 110° (delivery status) can be reduced to appr. 92° if required.  
This appliance is designed for ergonomic installation at a user-friendly height. If the appliance is to be installed underneath a worktop, it is essential to ensure proper ventilation is provided behind the appliance.  
For installation underneath cooktops: distance between the underside of the cooktop and the top edge of the oven housing: min. 15 mm. The planning notes for the cooktops (particularly regarding ventilation, gas/electric connection) must be taken into account.  
The mains socket must be accessible and located outside the built-in niche.

#### Connection

Total connected load 2.65 KW.  
Connection cable 1.75 m, pluggable.



**A:** Accessible electrical connection  
**B:** Cable with or without plug, depending on country

Measurements in mm