



GV451120

#### Included accessories

50 x vacuuming bag  
small  
50 x vacuuming bag  
big  
1 x raised vacuuming platform  
1 x adaptor f. vacuuming outside the chamber  
1 x vacuuming hose  
1 x adaptor for bottle plugs  
3 x plugs for vacuuming of bottles

vacuuming drawer Gaggenau Expressive series  
60 x 14 cm, Stainless steel behind smoked glass  
**GV451120**

- Handleless opening with a light push for convenience and style
- Seamlessly integrated with multiple Gaggenau appliances, offering flexibility and a harmonious aesthetics
- Hygienic stainless steel interior for a easy to clean and long lasting appliance
- Three adaptive vacuum levels for optimal food preservation and sous-vide preparation
- Multiple accessories ensure food freshness and quality, extending shelf life

#### Highlights

Integrable in 14 cm high niche  
Hygienic stainless steel vacuuming chamber, applicable height up to 95 mm  
3 vacuuming levels for vacuuming in the chamber, max. 99%  
3 vacuuming levels for vacuuming outside the chamber, max. 90%  
Automatic connection recognition for vacuuming outside the chamber  
Handleless drawer  
Push-to-open function.

#### Application

Vacuuming for sous-vide cooking.  
Vacuuming for fast marinating and flavouring.  
Vacuuming for fast marinating and flavouring.  
Vacuuming of vacuuming containers outside the chamber.  
Vacuuming of liquids in bottles outside the chamber.

#### Handling

Touch key operation.

#### Features

Net volume 7 litres.  
Capacity load max. 10 kg.  
Maximum size of vacuuming bags W 240 mm x L 350 mm.  
3 heat-sealing levels for different strengths of bag material.  
Sealing bar, non-stick coating, removable.  
Safety glass cover, opens automatically after vacuuming.  
Raised vacuuming platform, 44 mm, deployable.  
Utility space in vacuuming chamber, W 210 mm x L 275 mm.  
Membrane for avoiding reflow of liquids during vacuuming outside the chamber.  
Drying programme for vacuuming pump.

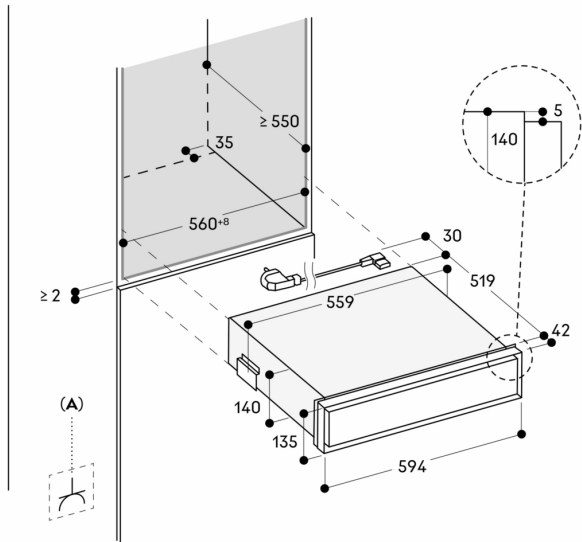
#### Planning notes

Plan the niche without back wall.  
Protrusion from appliance front to furniture cabinet 42 mm.  
Installation of GO/GS/GM/GC directly above the drawer without intermediate shelf.  
Drawers installed above a dishwasher need a specific niche.  
The socket can be planned behind the appliance.  
Special accessories (order as spare parts):  
Part No. 00578813 vacuuming bags, small

Part No. 00578814 vacuuming bags, big.

#### Connection

Total connected load 0.32 KW.  
Connection cable 1.50 m, pluggable.



A: Accessible electrical connection  
Measurements in mm