

GW051190

warming drawer Gaggenau Expressive series
60 x 14 cm
GW051190

- Hygienic stainless steel and glass interior for effortless cleaning and elegant design
- Six power levels and four heating modes ensure consistent temperature control for various culinary needs
-

Highlights

Integrable in 14 cm high niche
Bright interior lighting.
Cushioned closing system
Hygienic stainless steel interior with glass bottom
Direct temperature selection in the range 30 °C to 80 °C.
Also for low-temperature cooking, dough proving, herbs and fruits drying, chocolate melting and defrosting.

Heating methods

Preheating of small beverage containers.
Warming ovenware.
Keeping meals warm.
Low-temperature cooking.
Direct temperature control.
Personalisation function via Home Connect.
16 additional programmes via Home Connect.

Handling

Touch key operation.

Features

Net volume 20 litres.
Volume capacity: Dinner service for 6 people including ø 27 cm plates and soup bowls, additional bowls and a serving dish depending on size.
Capacity load max. 25 kg.
Usable interior dimensions
W 548 mm x H 92 mm x D 410 mm.
Heating system for even heat distribution and stable cavity temperature.
Glass bottom made of safety glass.

Selected digital services (Gaggenau Home Connect)

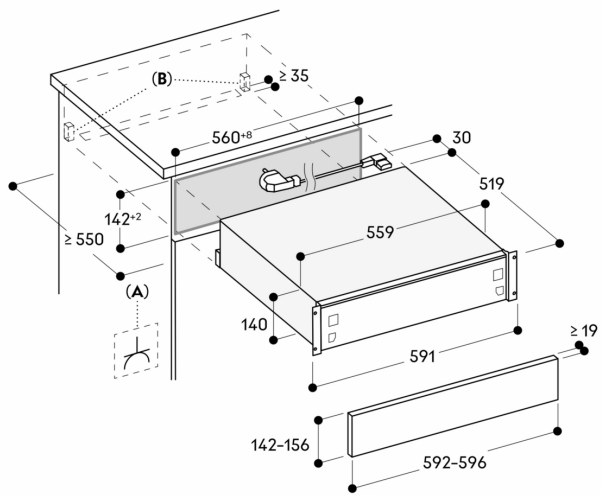
Additional programmes and recipes.
Remote control and monitoring.

Planning notes

Plan the niche without back wall.
Installation of GO/GS/GM/GC directly above the drawer without intermediate shelf.
Drawers installed above a dishwasher need a specific niche.
Attention: To open the fully integrated variant, a handle or a recessed grip is necessary.
Front weight up to 3 kg.
Necessary lateral gap between appliance front and furniture panel of min. 5 mm.
Built-in under worktop or in single niche.
The socket can be planned behind the appliance.

Connection

Total connected load 0.82 KW.
Connection cable 1.75 m, pluggable.



A: Accessible electrical connection

B: Anti tilting

Measurements in mm