



GW251100

warming drawer Gaggenau Minimalistic series  
60 x 14 cm  
GW251100

#### Highlights

Flush installation  
Handleless drawer  
Bright interior lighting.  
Push-to-open function.  
Hygienic stainless steel interior with glass bottom  
Direct temperature selection in the range 30 °C to 80 °C.  
Also for low-temperature cooking, dough proving, herbs and fruits drying, chocolate melting and defrosting.

#### Heating methods

Preheating of small beverage containers.  
Warming ovenware.  
Keeping meals warm.  
Low-temperature cooking.  
Direct temperature control.  
Personalisation function via Home Connect.  
16 additional programmes via Home Connect.

#### Handling

Touch key operation.

#### Features

Net volume 20 litres.  
Volume capacity: Dinner service for 6 people including ø 27 cm plates and soup bowls, additional bowls and a serving dish depending on size.  
Capacity load max. 25 kg.  
Usable interior dimensions  
W 548 mm x H 92 mm x D 410 mm.  
Heating system for even heat distribution and stable cavity temperature.  
Status display, visible in the glass front.  
Glass bottom made of safety glass.

#### Selected digital services (Gaggenau Home Connect)

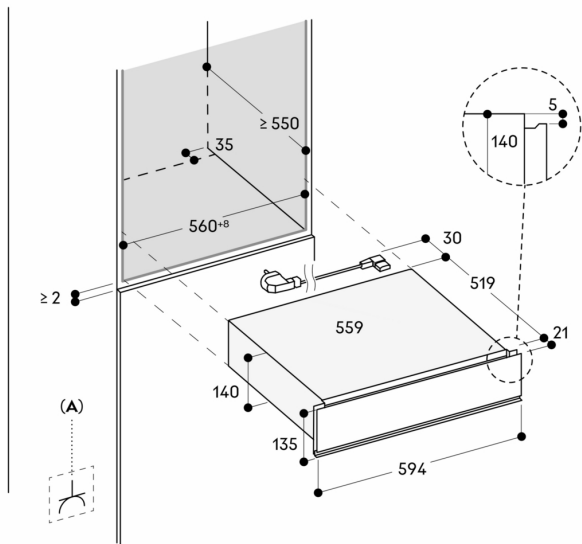
Additional programmes and recipes.  
Remote control and monitoring.

#### Planning notes

Plan the niche without back wall.  
Protrusion from appliance front to furniture cabinet 21 mm.  
Installation of GO/GS/GM/GC directly above the drawer without intermediate shelf.  
Drawers installed above a dishwasher need a specific niche.  
The socket can be planned behind the appliance.

#### Connection

Total connected load 0.82 KW.  
Connection cable 1.75 m, pluggable.



A: Accessible electrical connection

Measurements in mm